

**SYSTEM WIRING DIAGRAMS**

**Ford - Explorer**

**AIR CONDITIONING**

# 2004 Ford Explorer

## SYSTEM WIRING DIAGRAMS Ford - Explorer

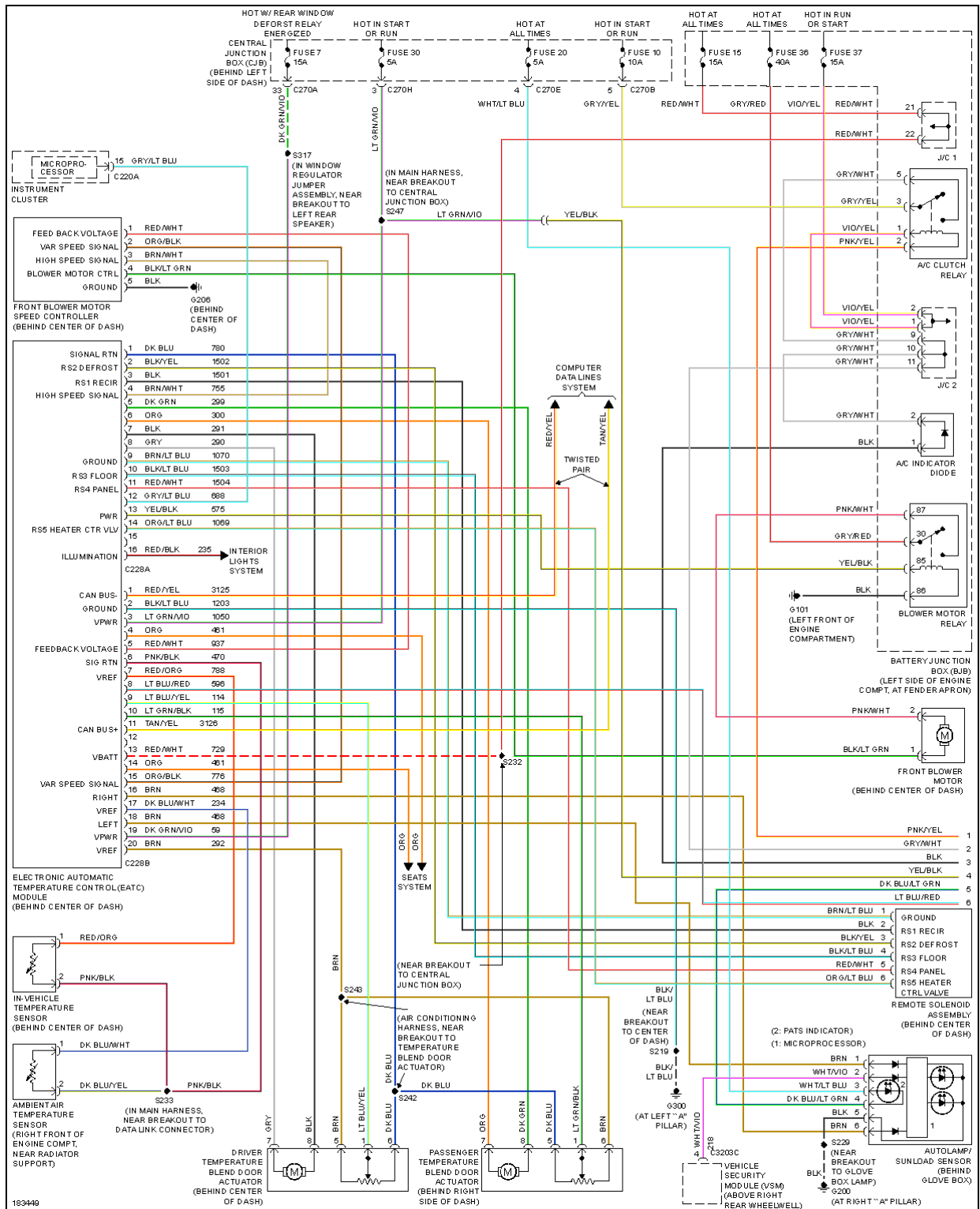


Fig. 1: Automatic A/C Circuit (1 of 2)

# 2004 Ford Explorer

## SYSTEM WIRING DIAGRAMS Ford - Explorer

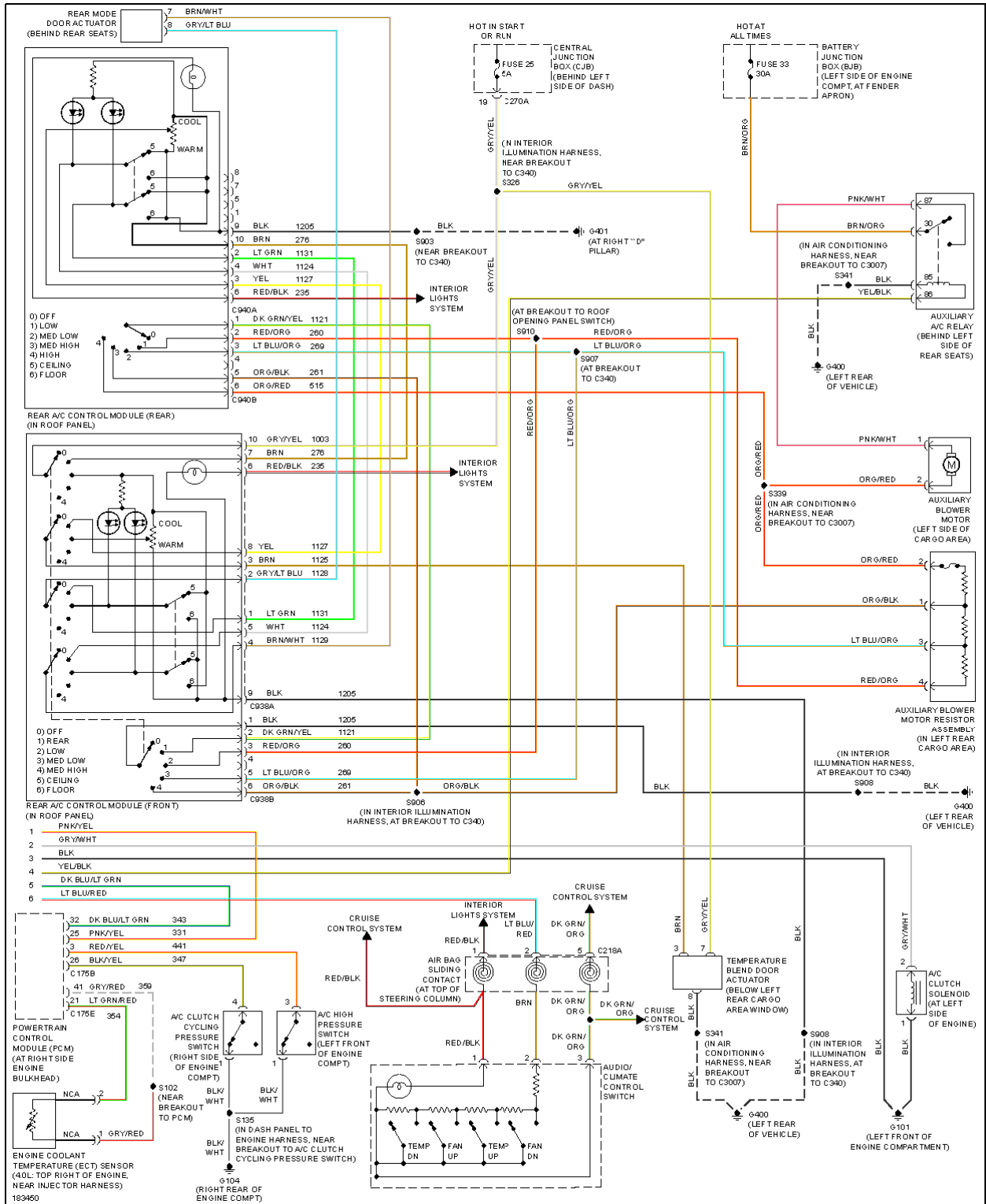
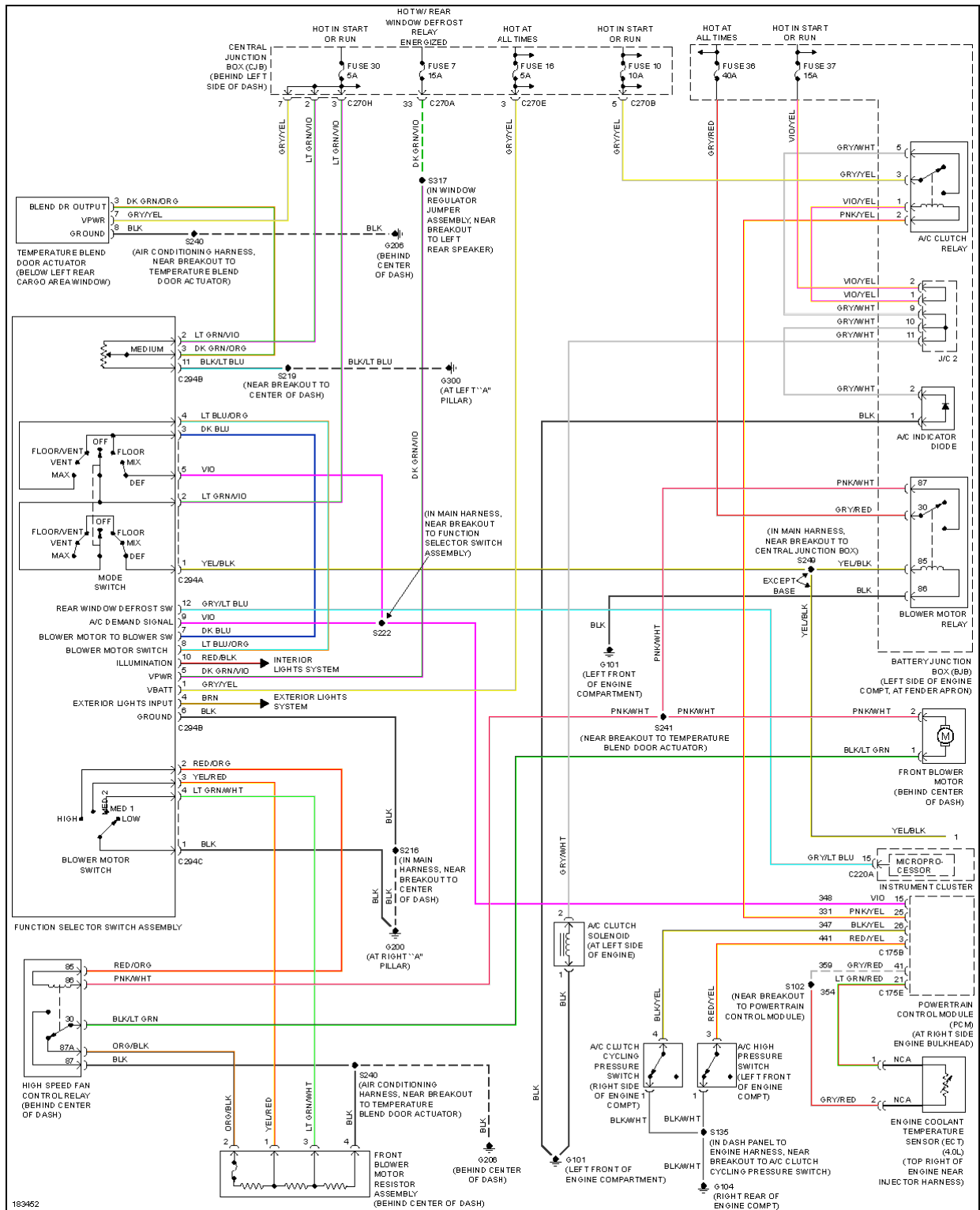


Fig. 2: Automatic A/C Circuit (2 of 2)

# 2004 Ford Explorer

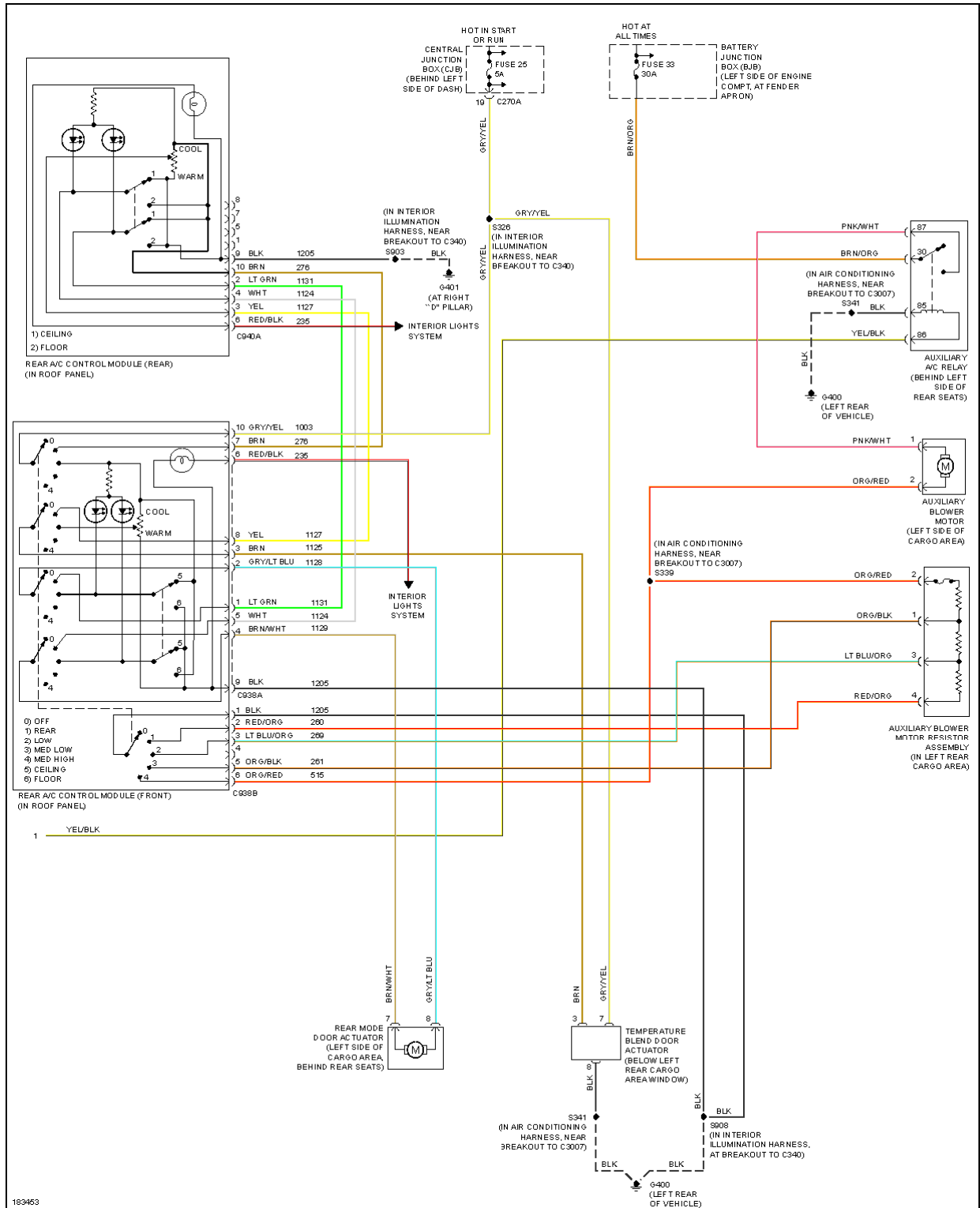
## SYSTEM WIRING DIAGRAMS Ford - Explorer



**Fig. 3: Manual A/C Circuit, W/ Sliding Roof (1 of 2)**

# 2004 Ford Explorer

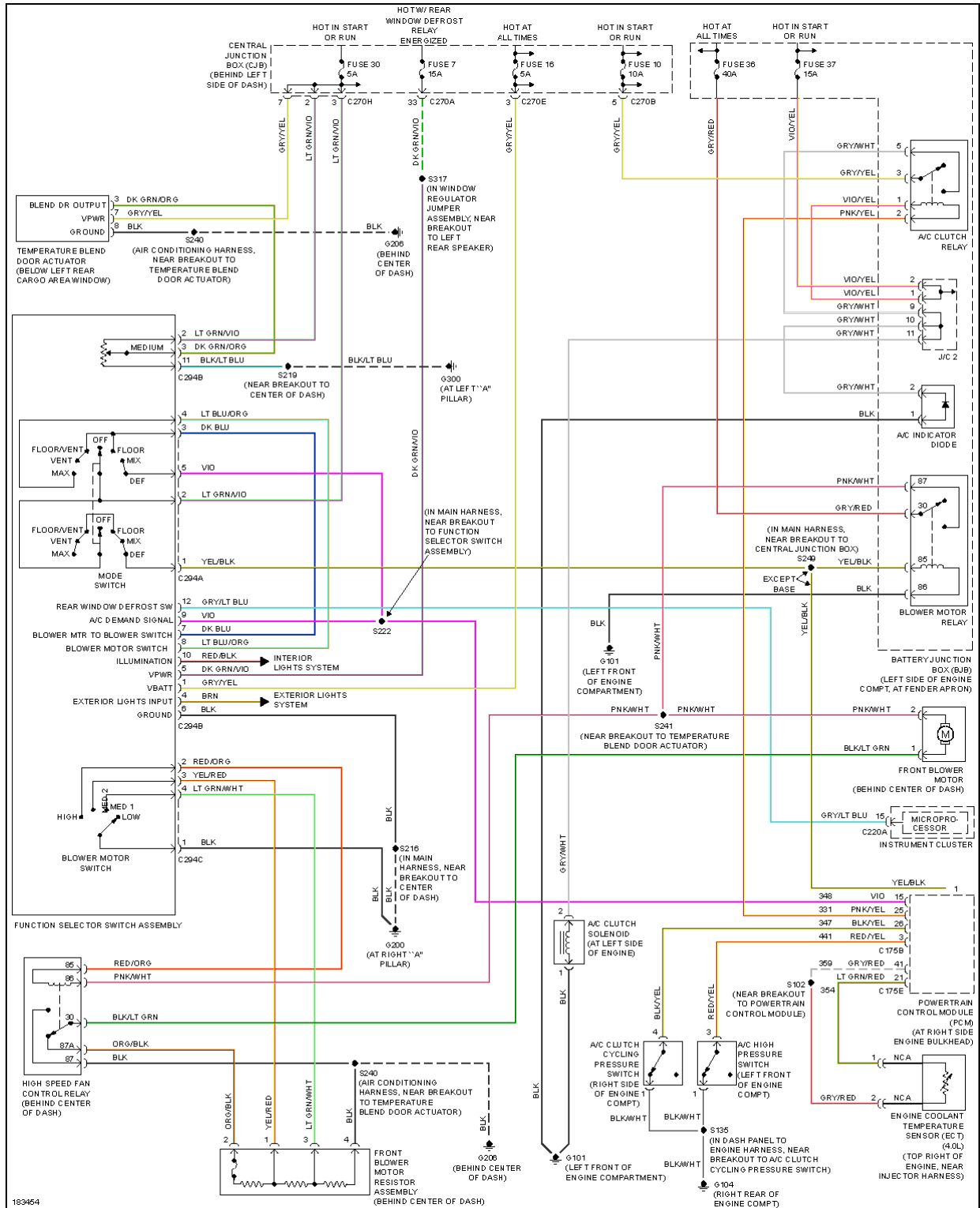
## SYSTEM WIRING DIAGRAMS Ford - Explorer



**Fig. 4: Manual A/C Circuit, W/ Sliding Roof (2 of 2)**

# 2004 Ford Explorer

## SYSTEM WIRING DIAGRAMS Ford - Explorer



**Fig. 5: Manual A/C Circuit, W/O Sliding Roof (1 of 2)**

# 2004 Ford Explorer

## SYSTEM WIRING DIAGRAMS Ford - Explorer

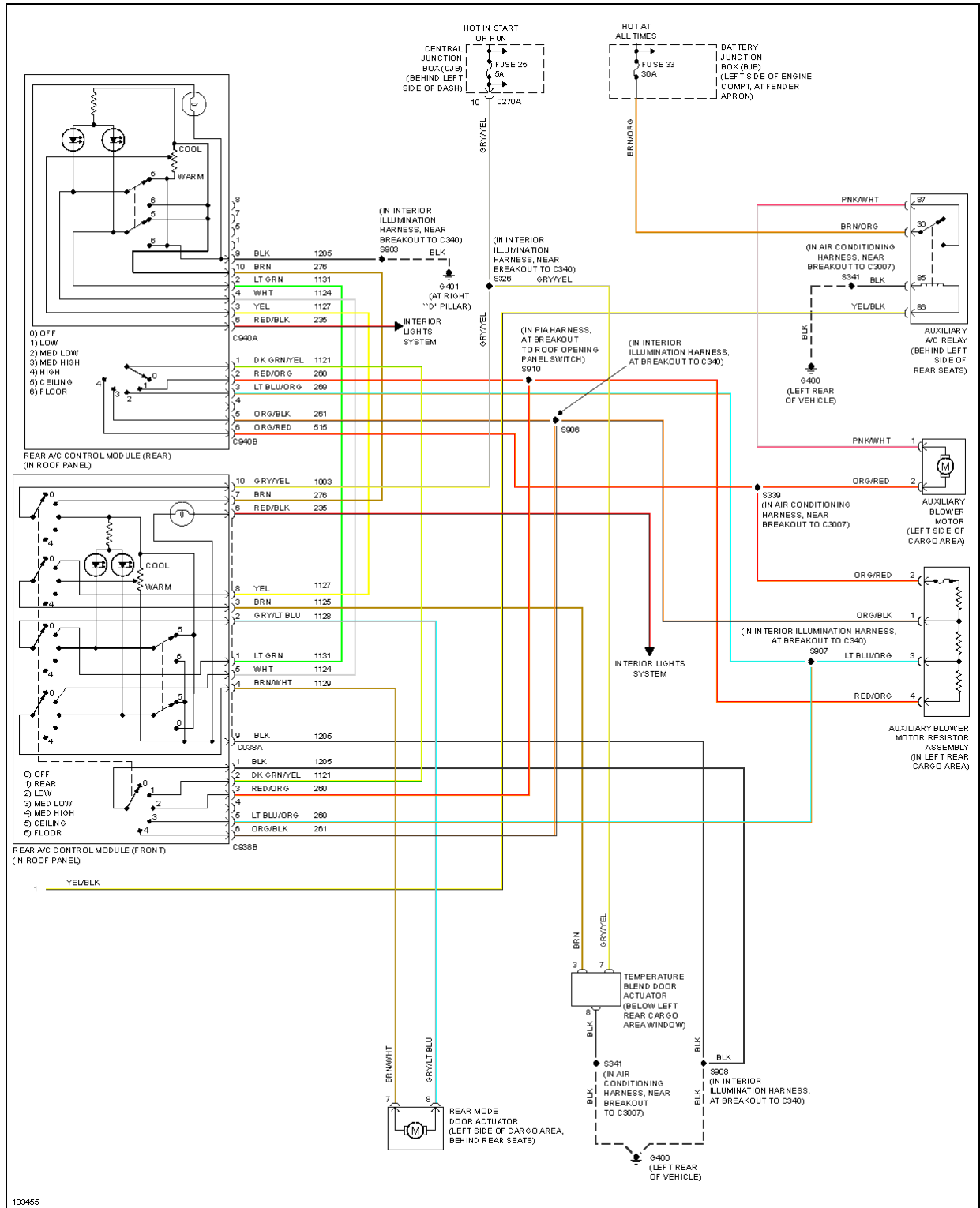
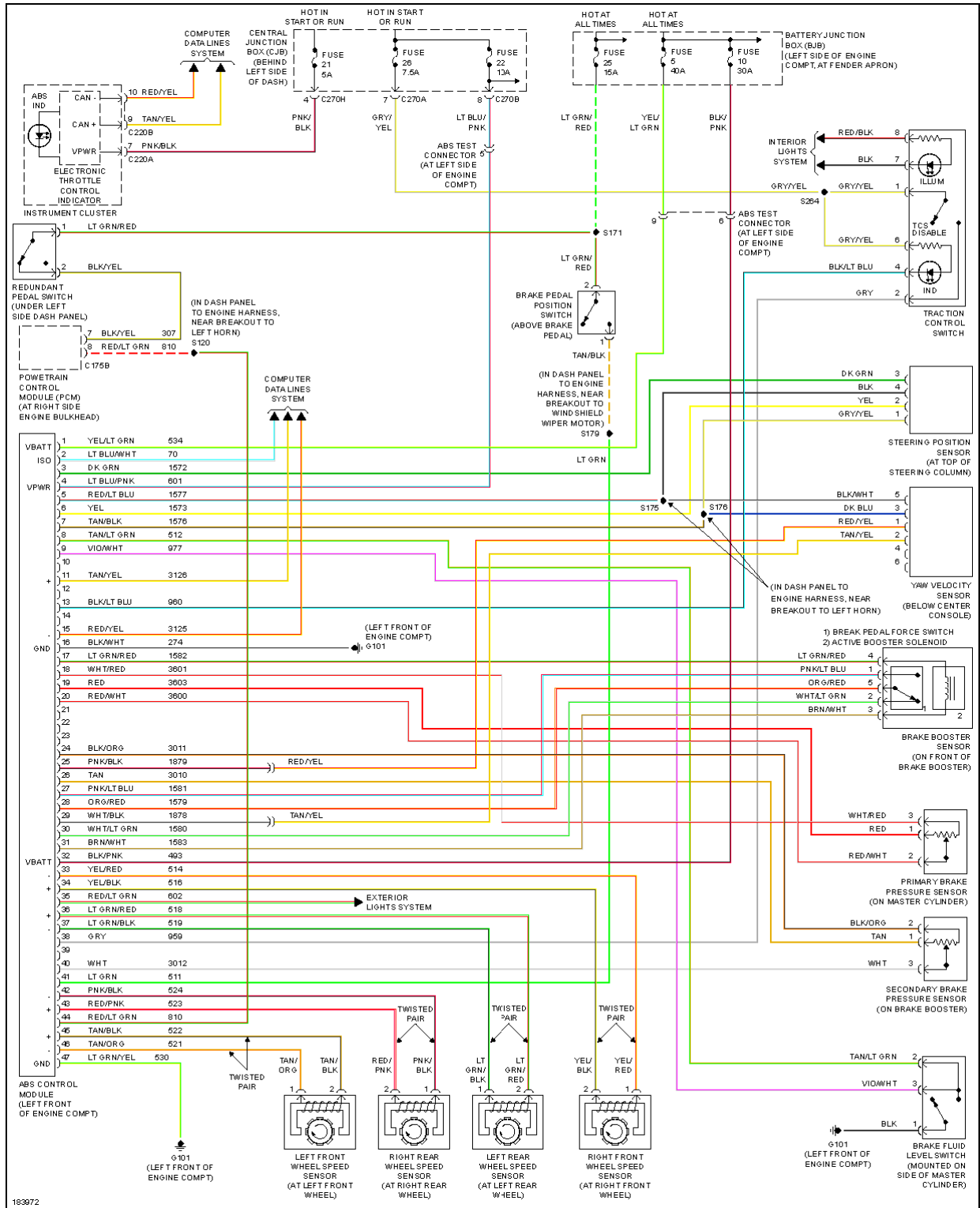


Fig. 6: Manual A/C Circuit, W/O Sliding Roof (2 of 2)

### ANTI-LOCK BRAKES

# 2004 Ford Explorer

## SYSTEM WIRING DIAGRAMS Ford - Explorer

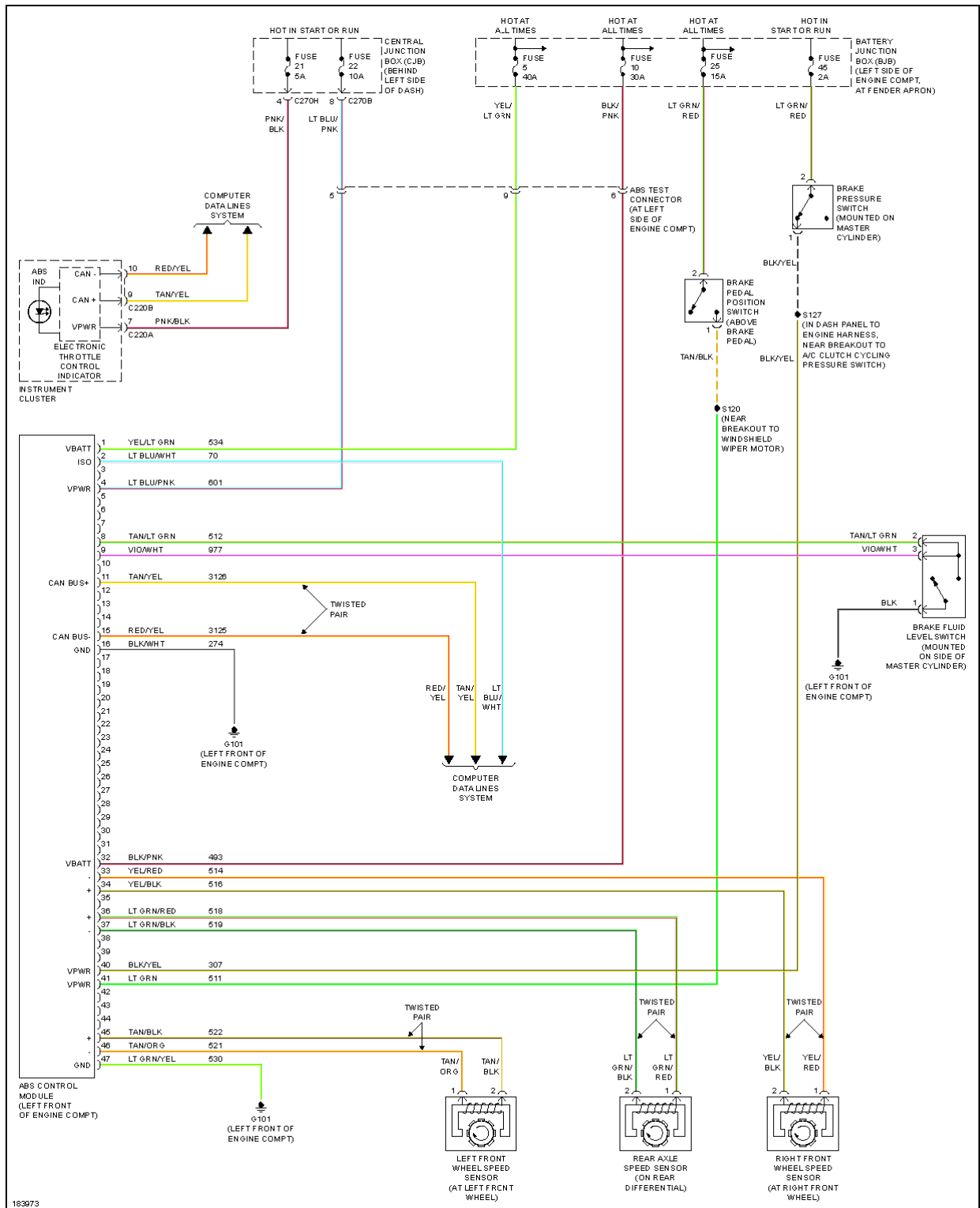


**Fig. 7: Anti-lock Brakes Circuit, W/ IVD**



# 2004 Ford Explorer

## SYSTEM WIRING DIAGRAMS Ford - Explorer

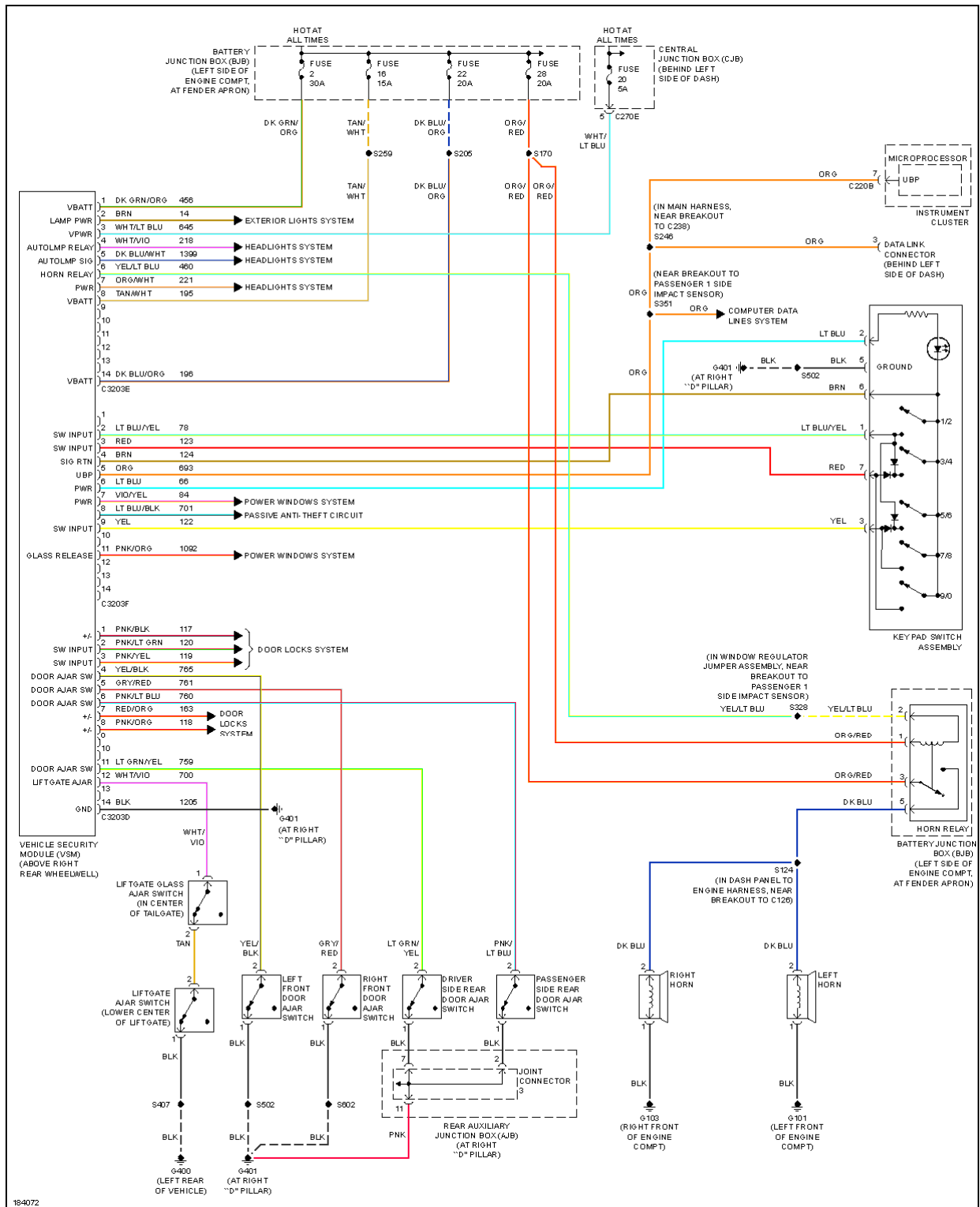


**Fig. 8: Anti-lock Brakes Circuit, W/O IVD**

### ANTI-THEFT

# 2004 Ford Explorer

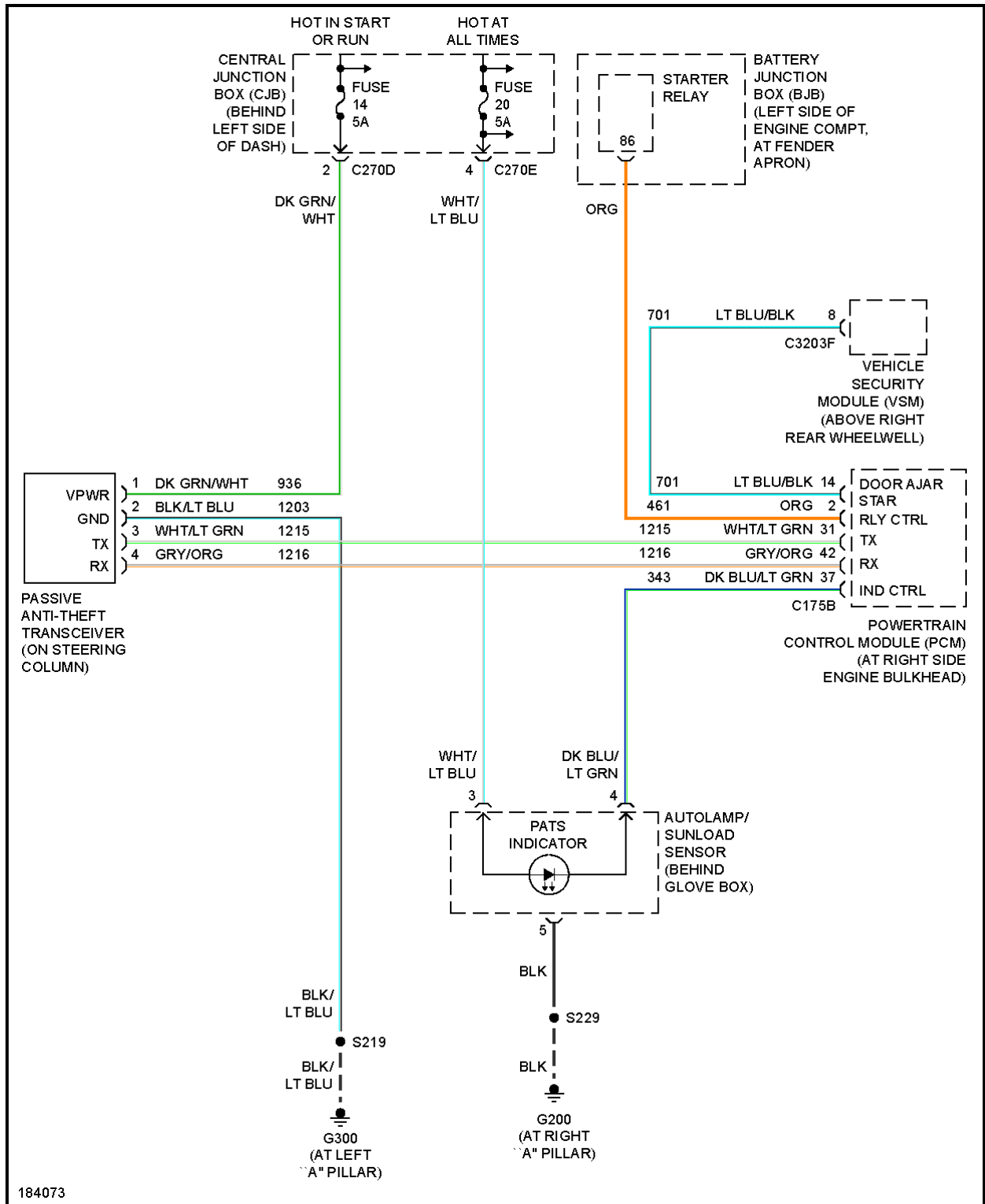
## SYSTEM WIRING DIAGRAMS Ford - Explorer



**Fig. 9: Forced Entry Circuit**

# 2004 Ford Explorer

## SYSTEM WIRING DIAGRAMS Ford - Explorer



**Fig. 10: Passive Anti-theft Circuit**

## COMPUTER DATA LINES

Home

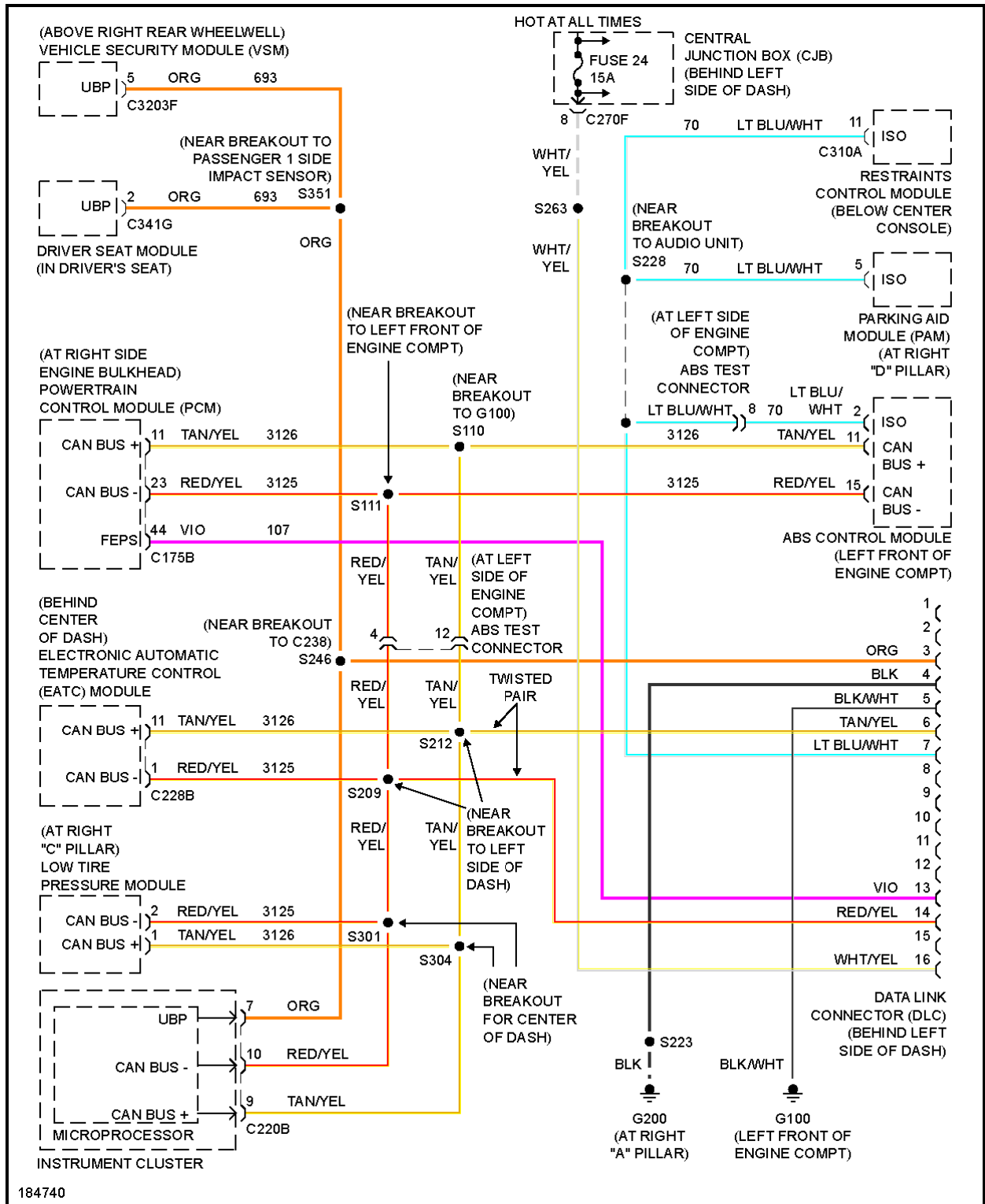
29 октября 2006 г. 8:21:53

Page 11

© 2004 Mitchell Repair Information Company, LLC.

# 2004 Ford Explorer

## SYSTEM WIRING DIAGRAMS Ford - Explorer

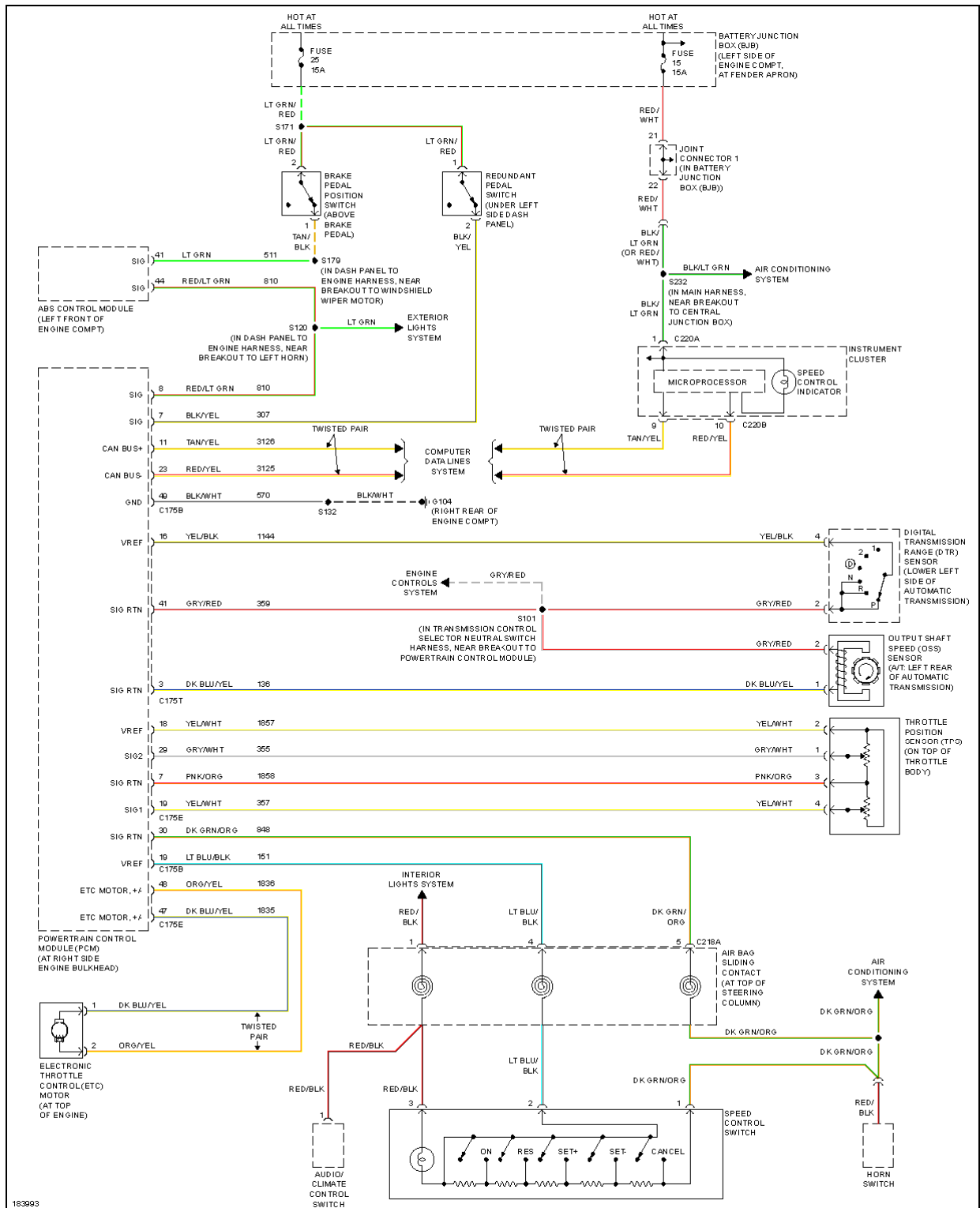


**Fig. 11: Computer Data Lines Circuit**

### CRUISE CONTROL

# 2004 Ford Explorer

## SYSTEM WIRING DIAGRAMS Ford - Explorer



**Fig. 12: Cruise Control Circuit, W/ IVD**

# 2004 Ford Explorer

## SYSTEM WIRING DIAGRAMS Ford - Explorer

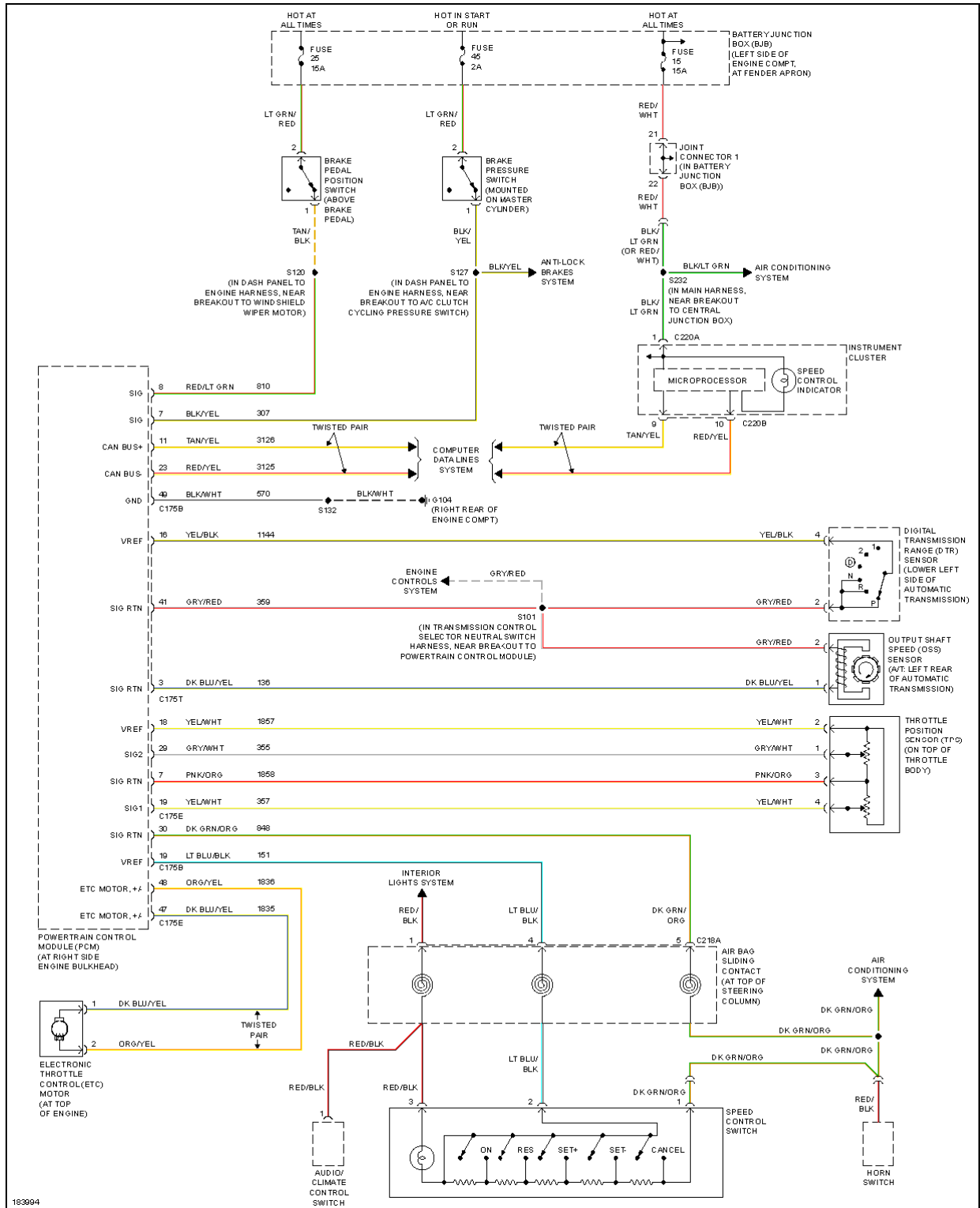


Fig. 13: Cruise Control Circuit, W/O IVD

## DEFOGGERS

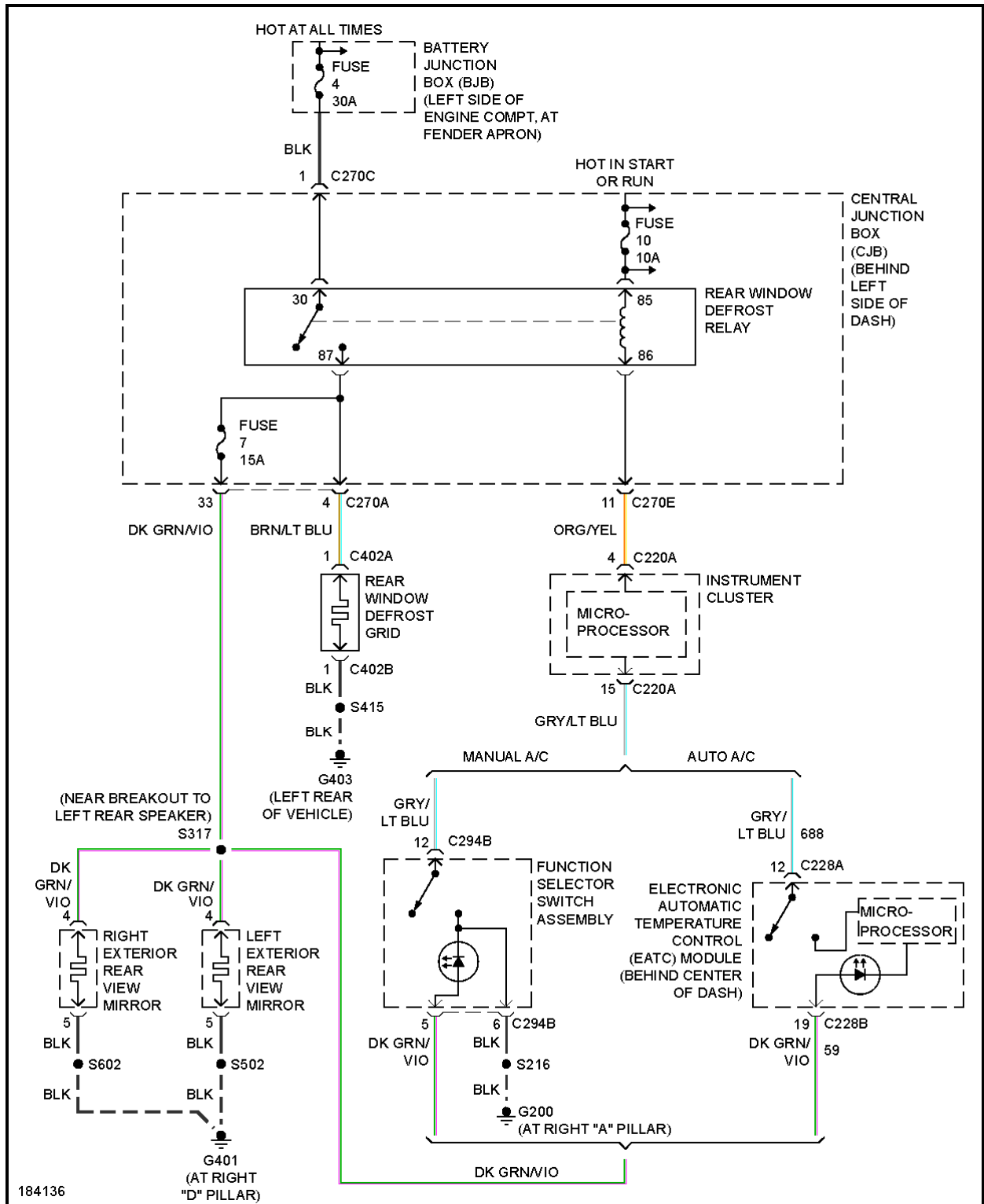


Fig. 14: Defoggers Circuit

## ENGINE PERFORMANCE

# 2004 Ford Explorer

## SYSTEM WIRING DIAGRAMS Ford - Explorer

4.0L

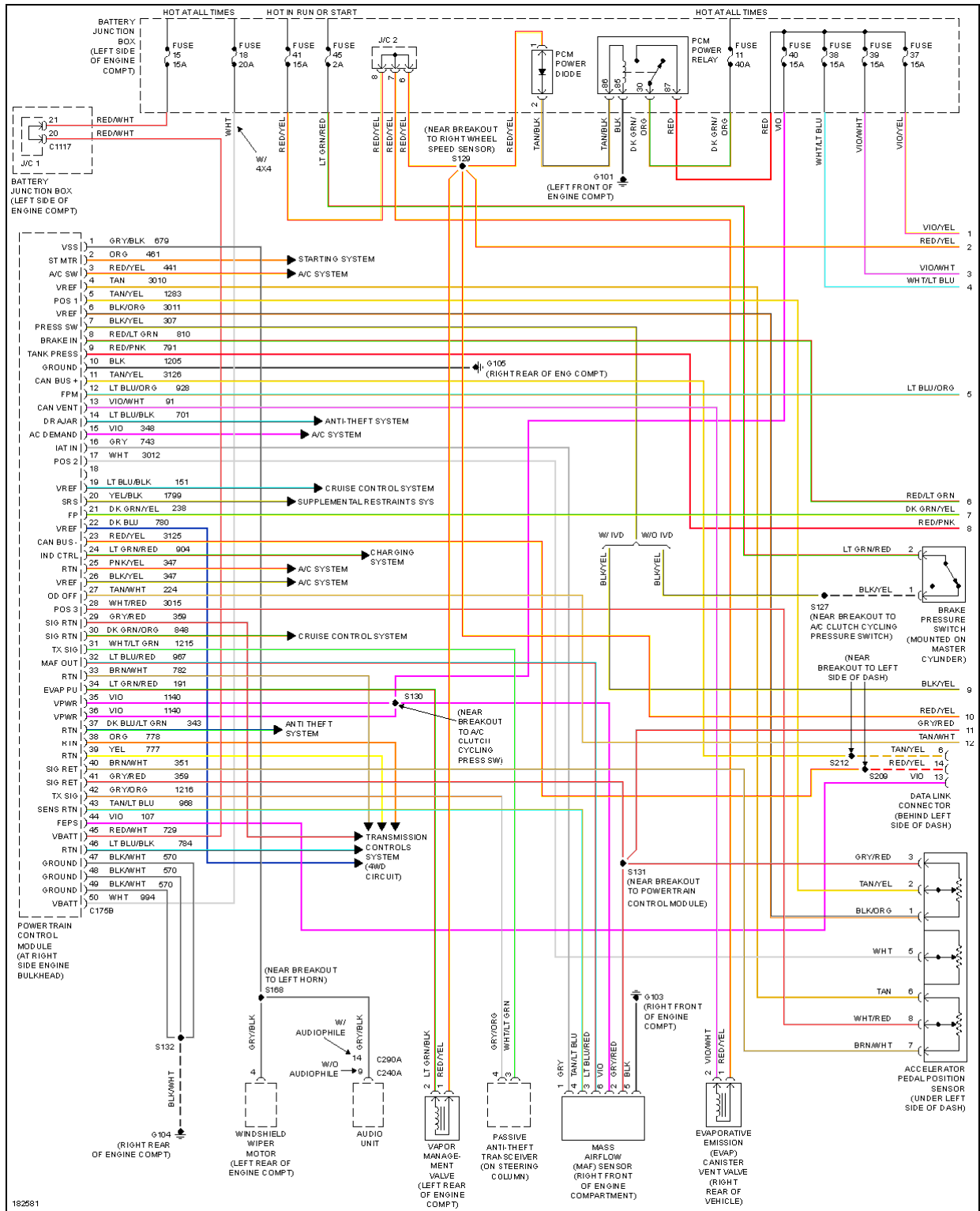
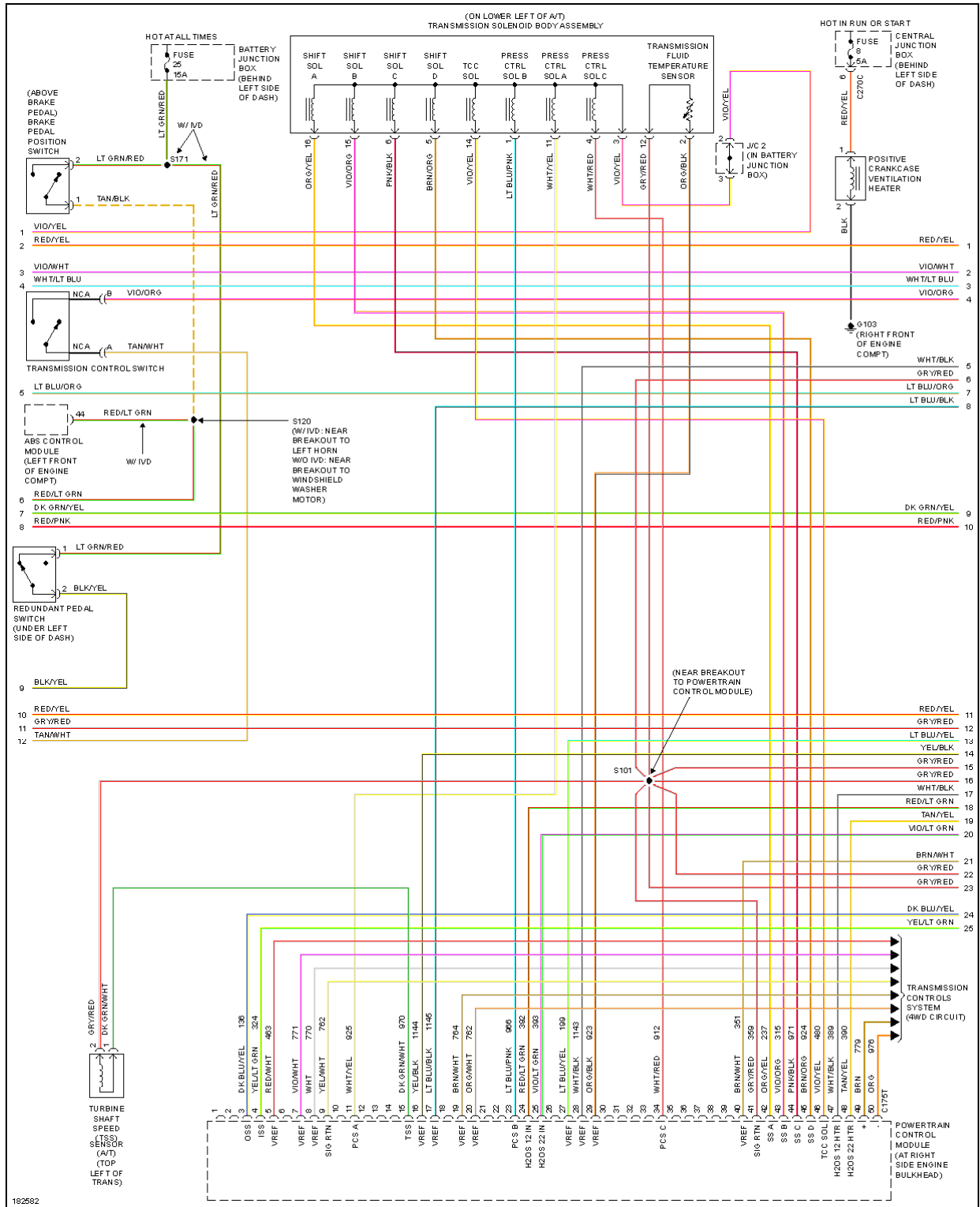


Fig. 15: 4.0L, Engine Performance Circuit (1 of 4)



# 2004 Ford Explorer

## SYSTEM WIRING DIAGRAMS Ford - Explorer



**Fig. 16: 4.0L, Engine Performance Circuit (2 of 4)**

# 2004 Ford Explorer

## SYSTEM WIRING DIAGRAMS Ford - Explorer

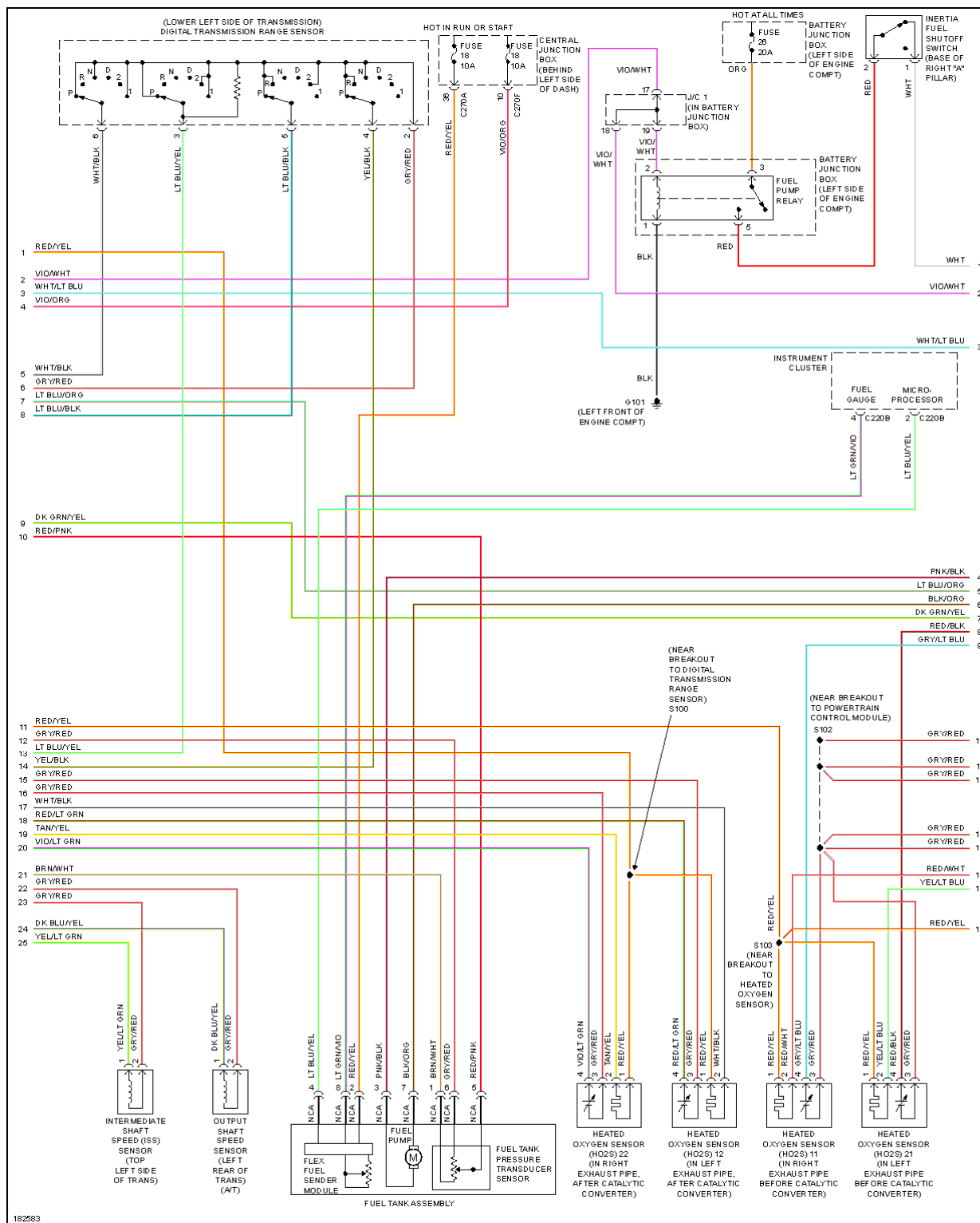


Fig. 17: 4.0L, Engine Performance Circuit (3 of 4)

# 2004 Ford Explorer

## SYSTEM WIRING DIAGRAMS Ford - Explorer

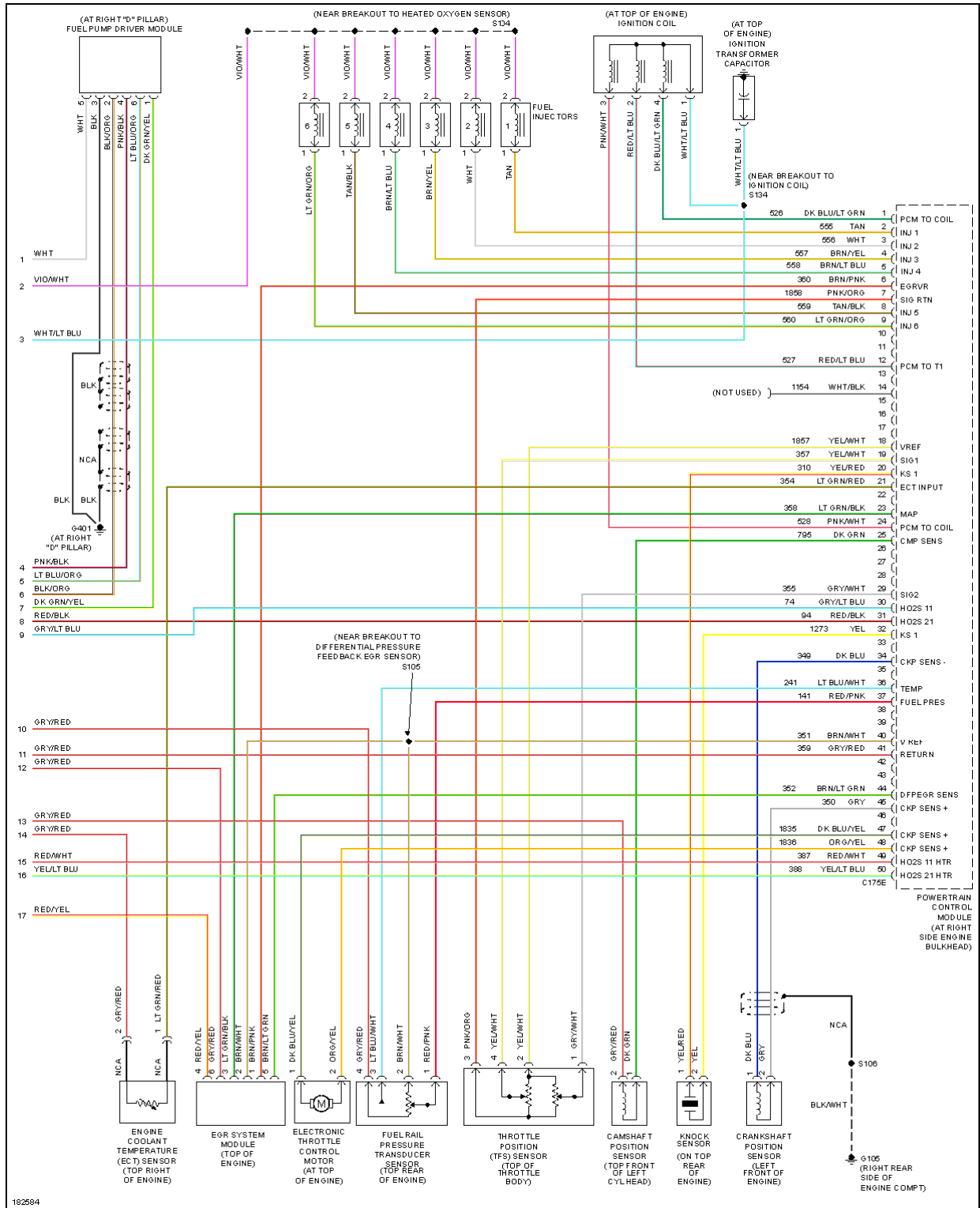
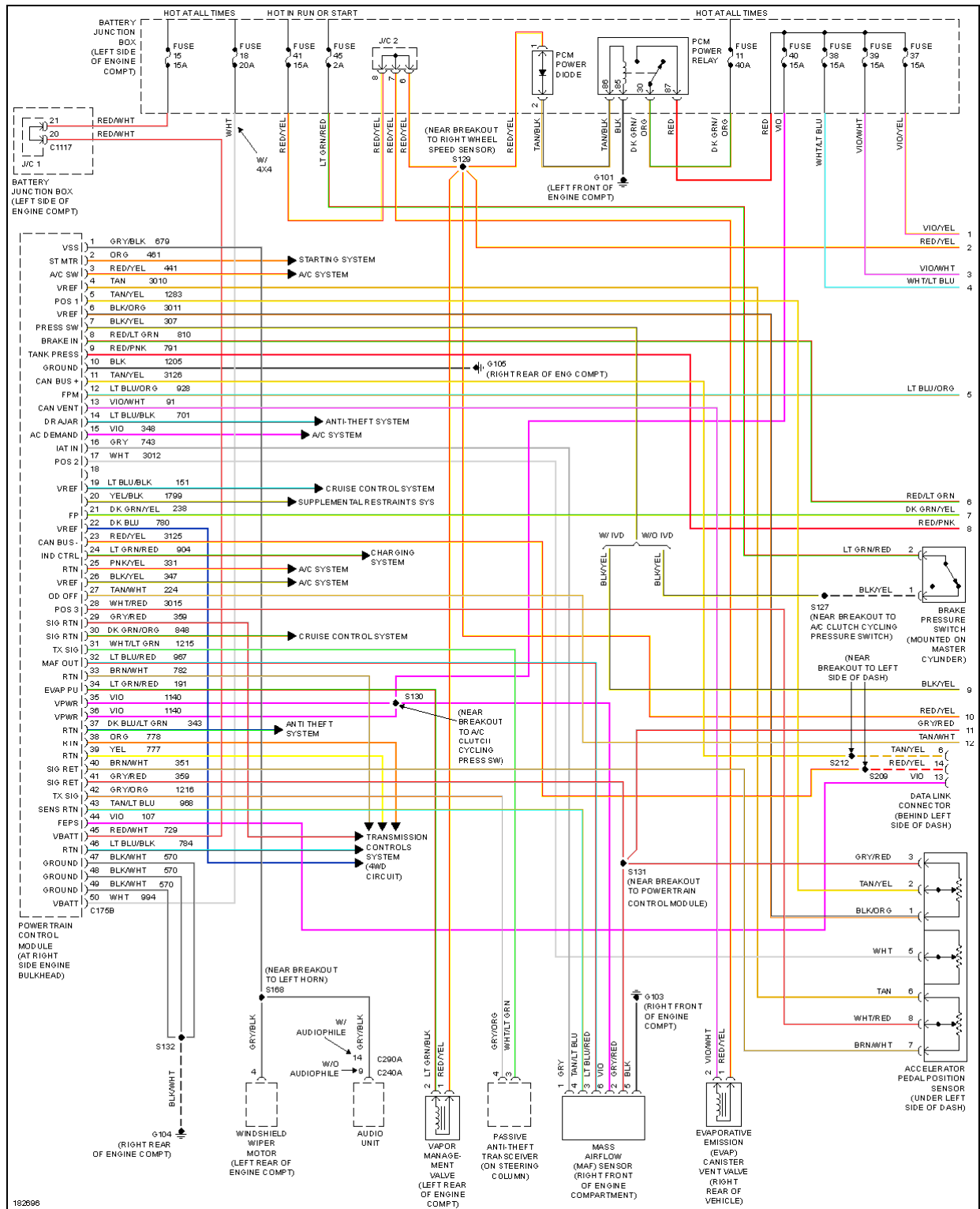


Fig. 18: 4.0L, Engine Performance Circuit (4 of 4)

### 4.6L

# 2004 Ford Explorer

## SYSTEM WIRING DIAGRAMS Ford - Explorer



**Fig. 19: 4.6L, Engine Performance Circuit (1 of 4)**

# 2004 Ford Explorer

## SYSTEM WIRING DIAGRAMS Ford - Explorer

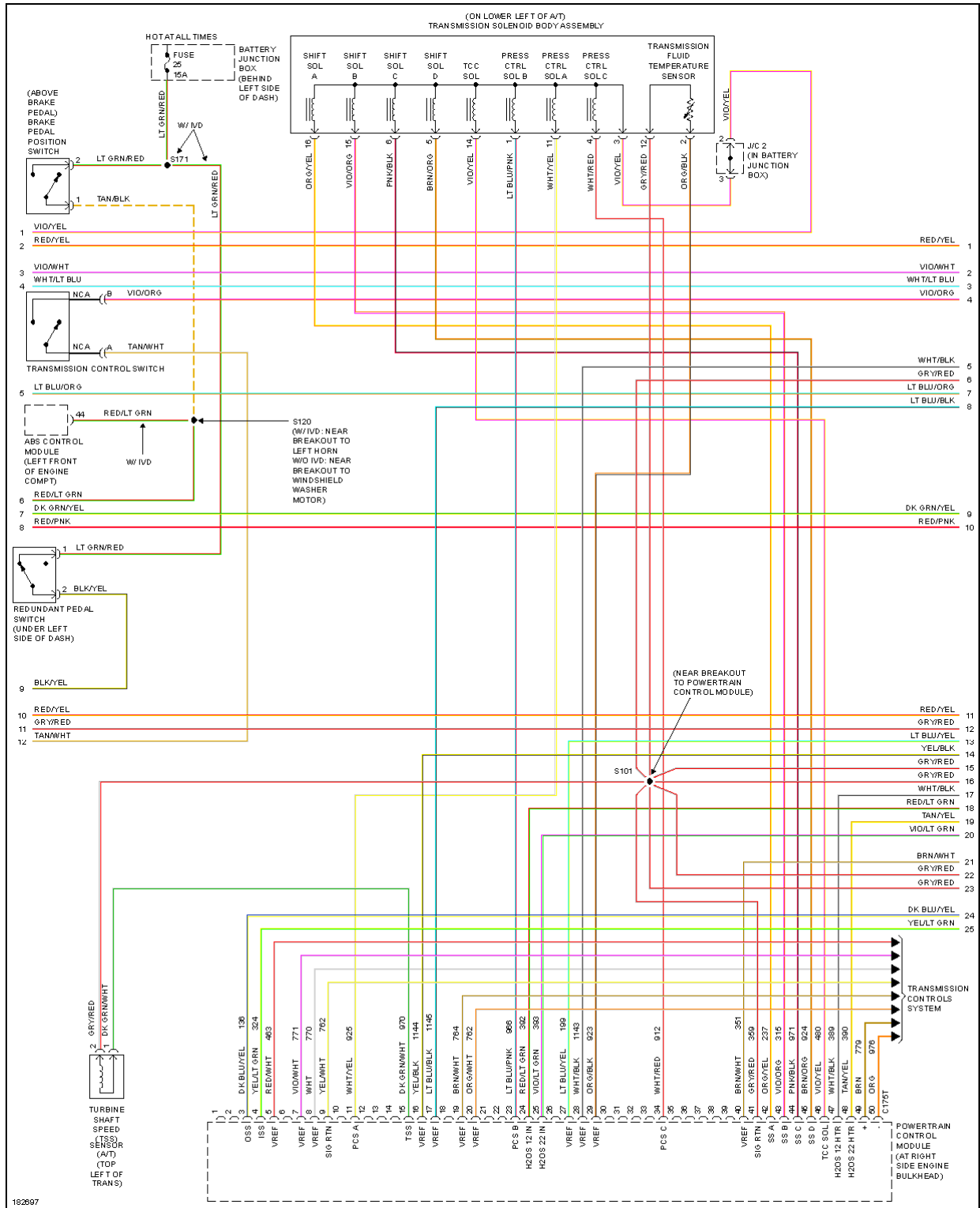


Fig. 20: 4.6L, Engine Performance Circuit (2 of 4)

# 2004 Ford Explorer

## SYSTEM WIRING DIAGRAMS Ford - Explorer

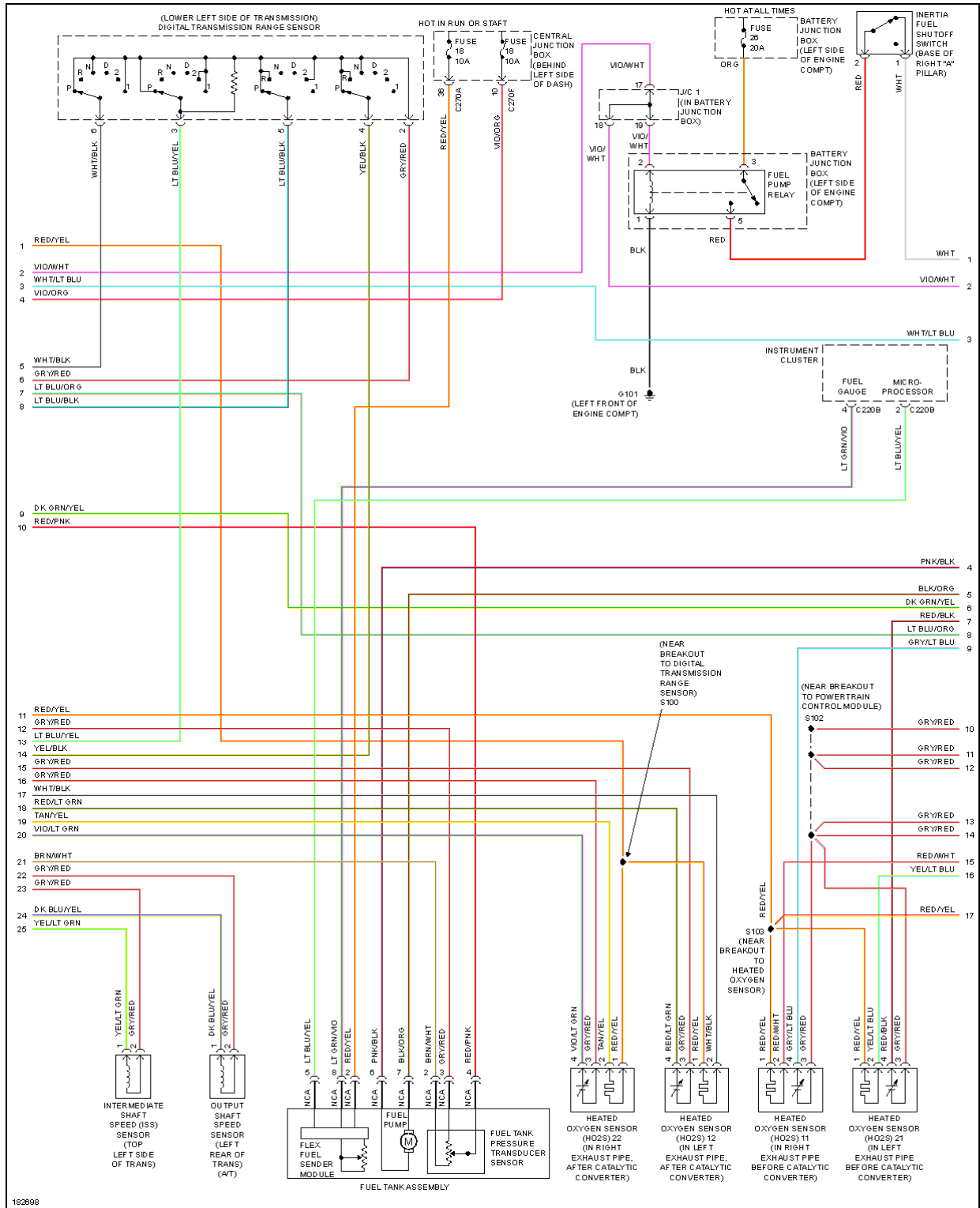


Fig. 21: 4.6L, Engine Performance Circuit (3 of 4)

# 2004 Ford Explorer

## SYSTEM WIRING DIAGRAMS Ford - Explorer

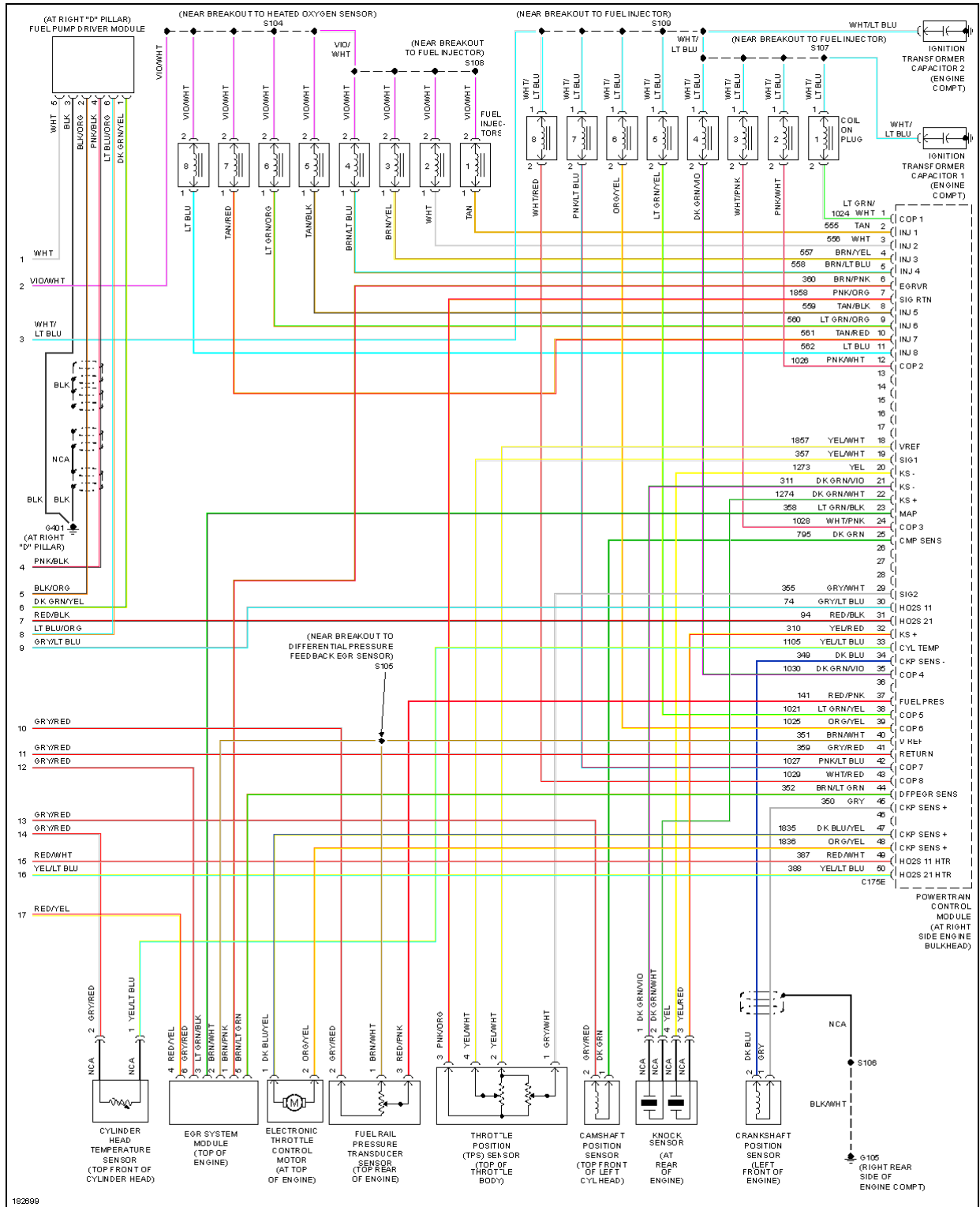


Fig. 22: 4.6L, Engine Performance Circuit (4 of 4)

### EXTERIOR LIGHTS

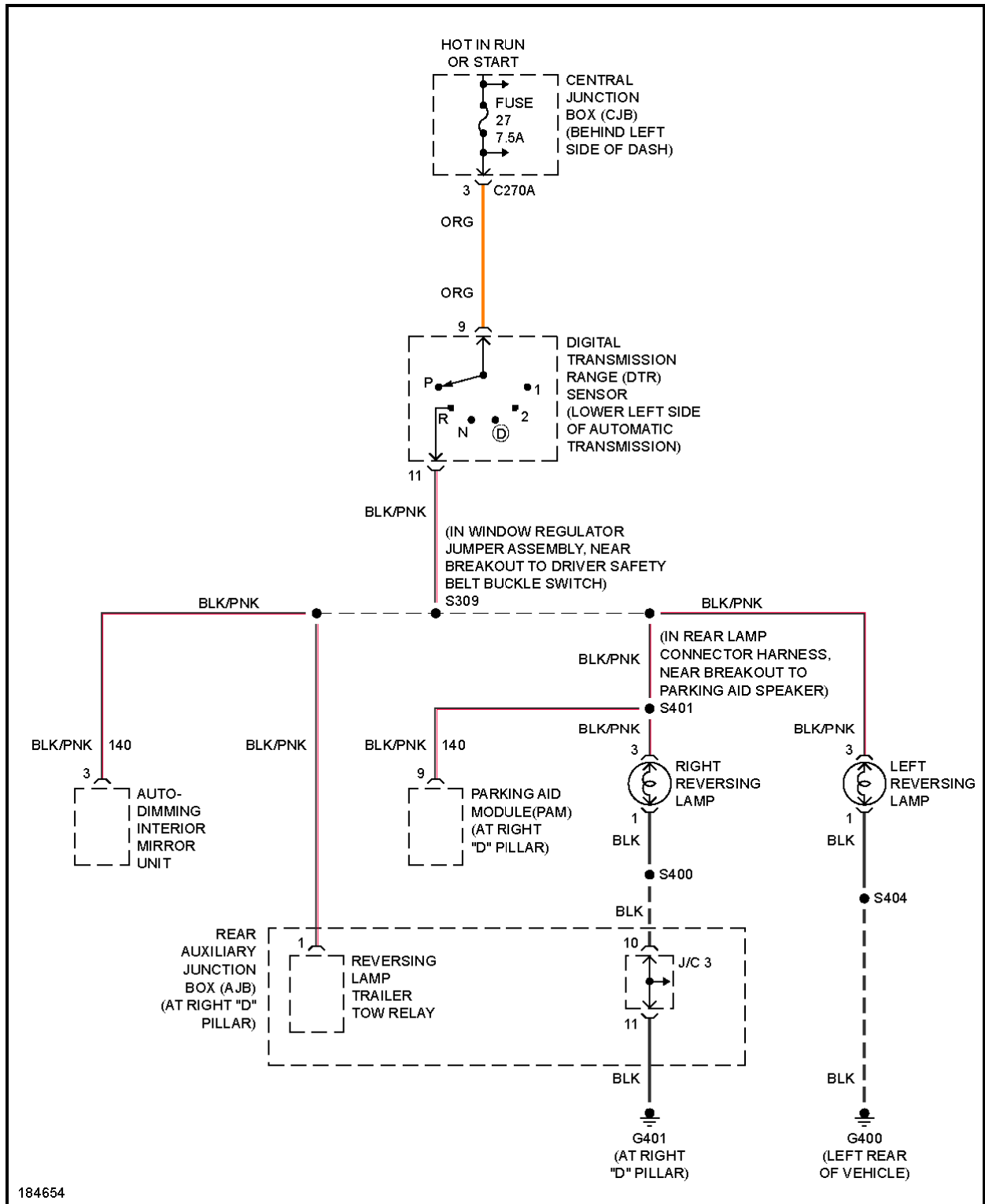
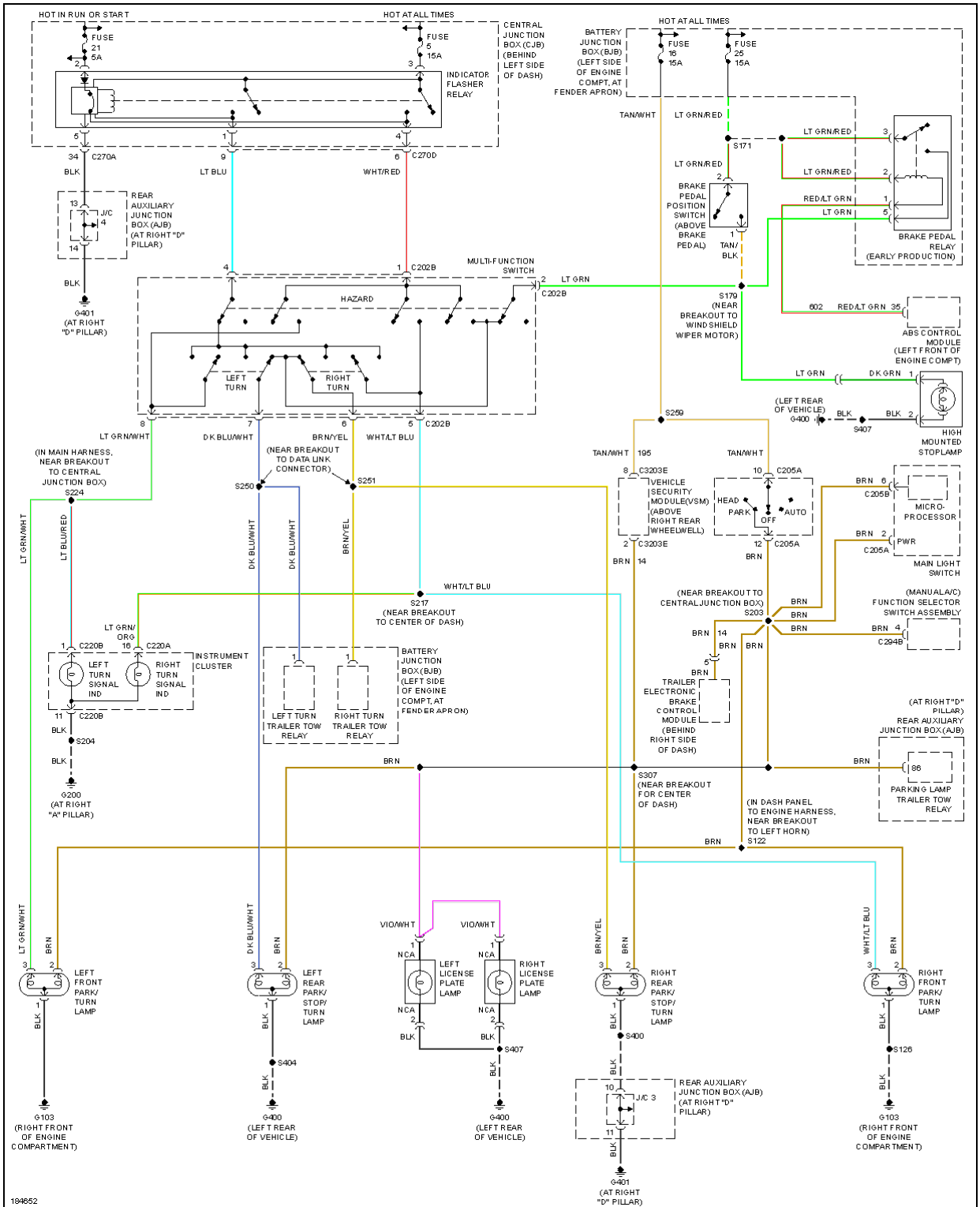


Fig. 23: Back-up Lamps Circuit



# 2004 Ford Explorer

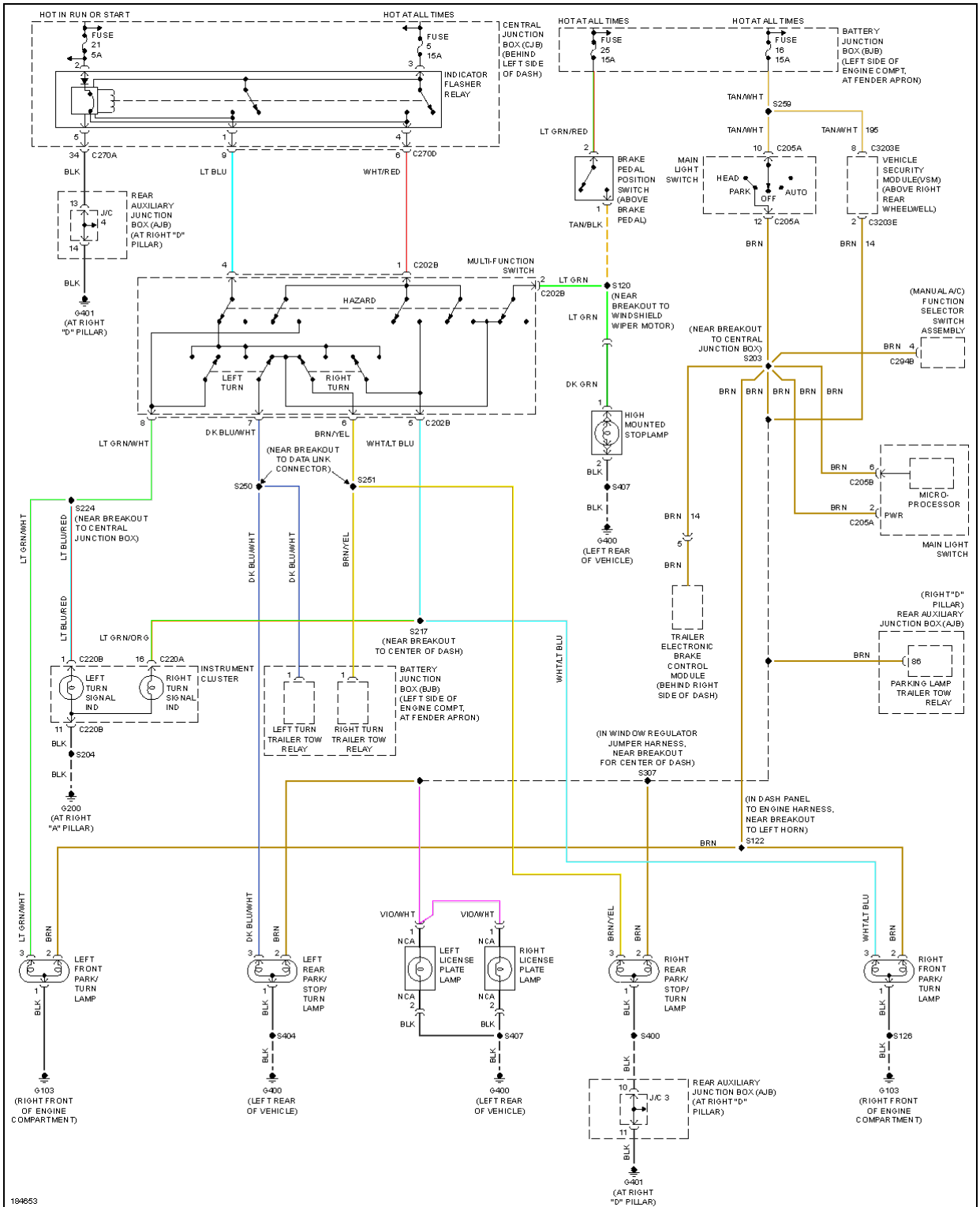
## SYSTEM WIRING DIAGRAMS Ford - Explorer



**Fig. 24: Exterior Lamps Circuit, W/ IVD**

# 2004 Ford Explorer

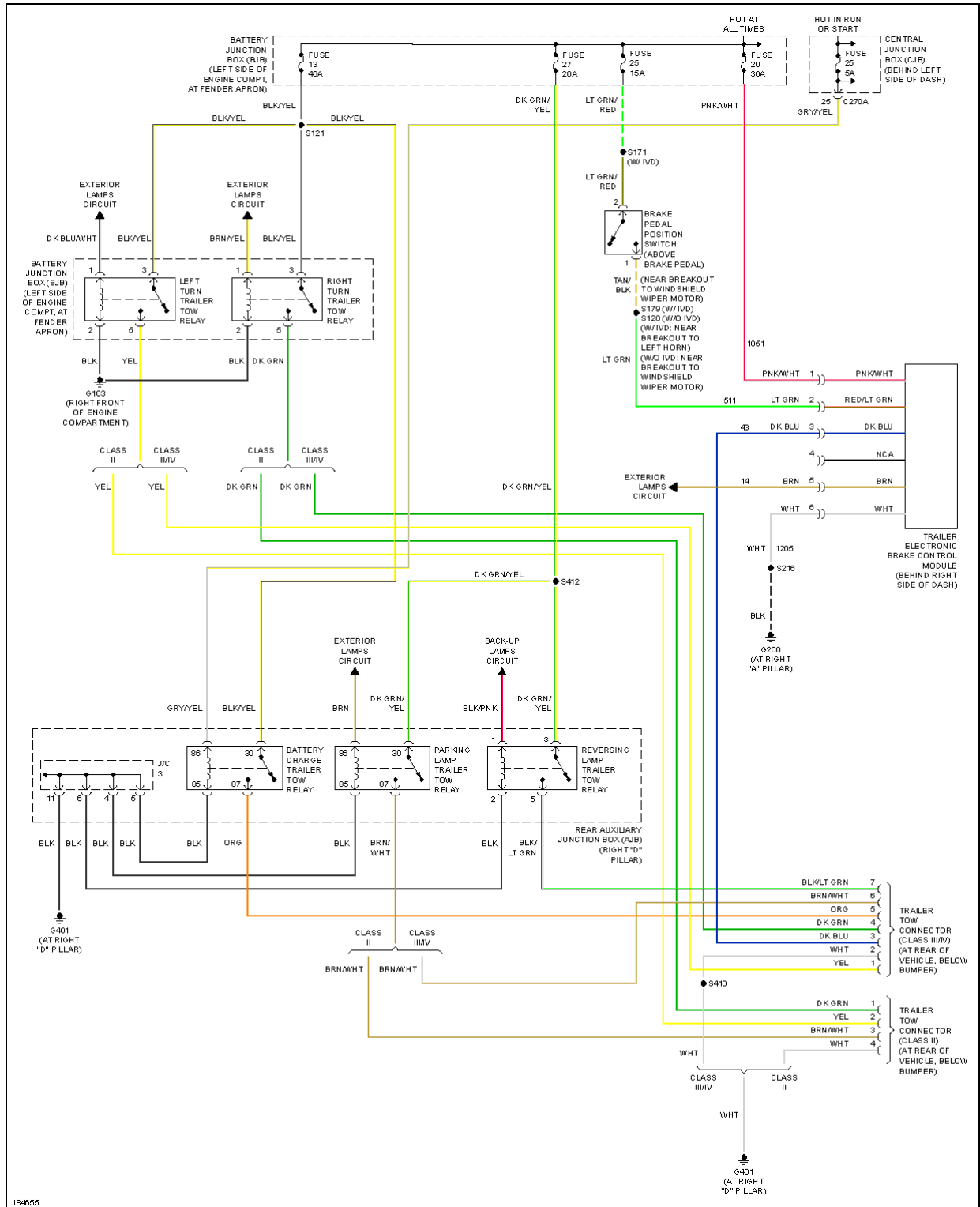
## SYSTEM WIRING DIAGRAMS Ford - Explorer



**Fig. 25: Exterior Lamps Circuit, W/O IVD**

# 2004 Ford Explorer

## SYSTEM WIRING DIAGRAMS Ford - Explorer

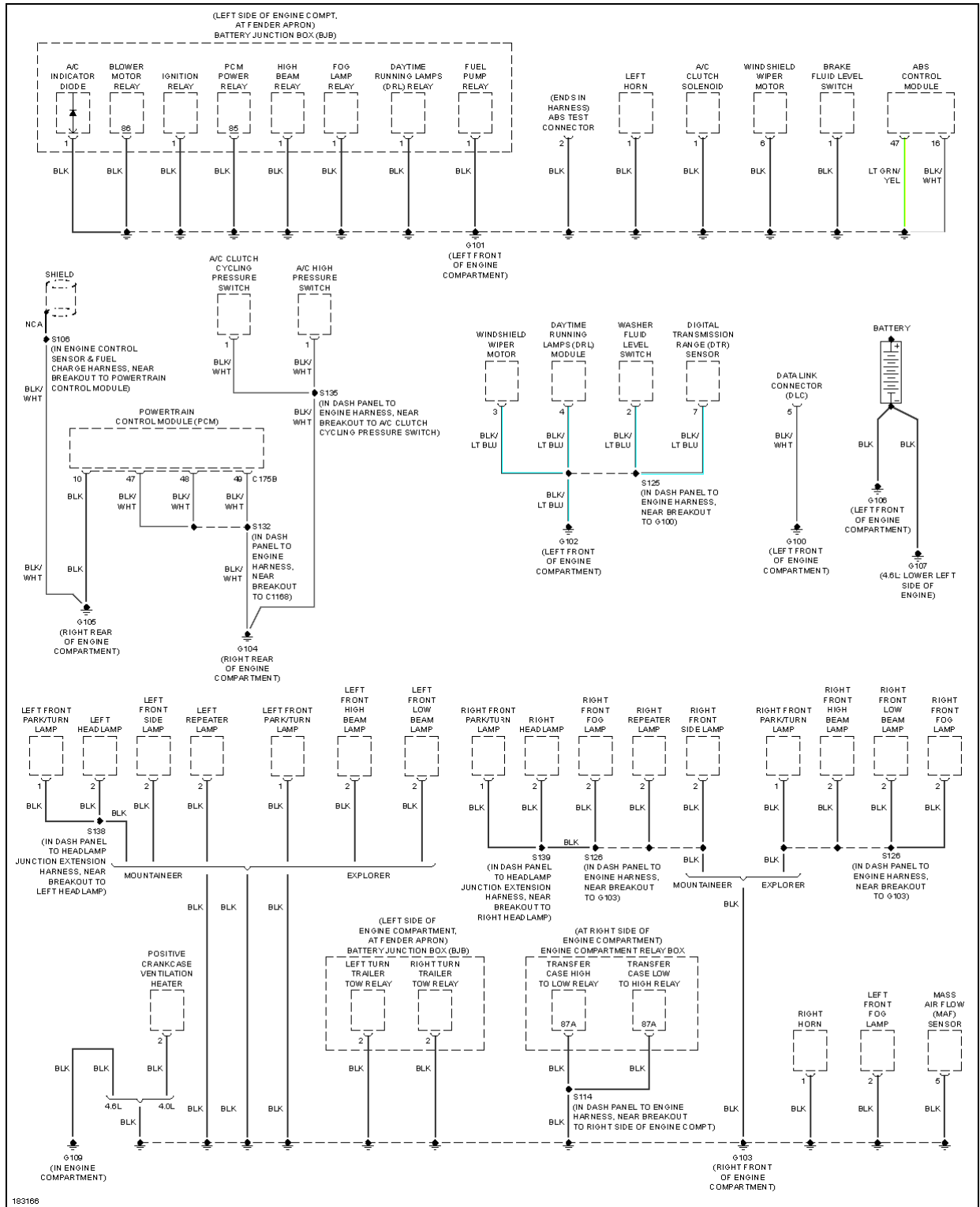


**Fig. 26: Trailer Tow Circuit**

### GROUND DISTRIBUTION

# 2004 Ford Explorer

## SYSTEM WIRING DIAGRAMS Ford - Explorer



**Fig. 27: Ground Distribution Circuit (1 of 4)**

# 2004 Ford Explorer

## SYSTEM WIRING DIAGRAMS Ford - Explorer

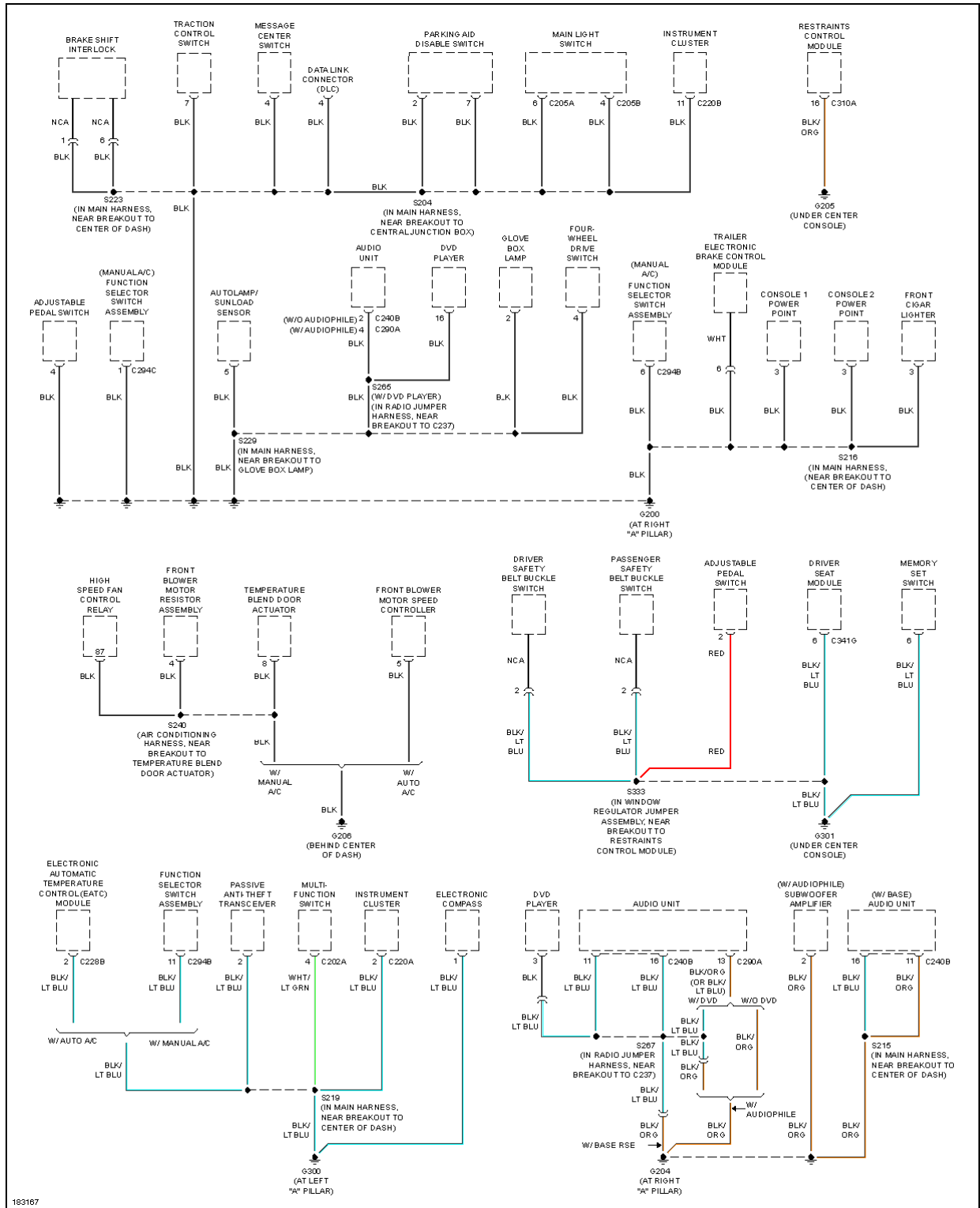
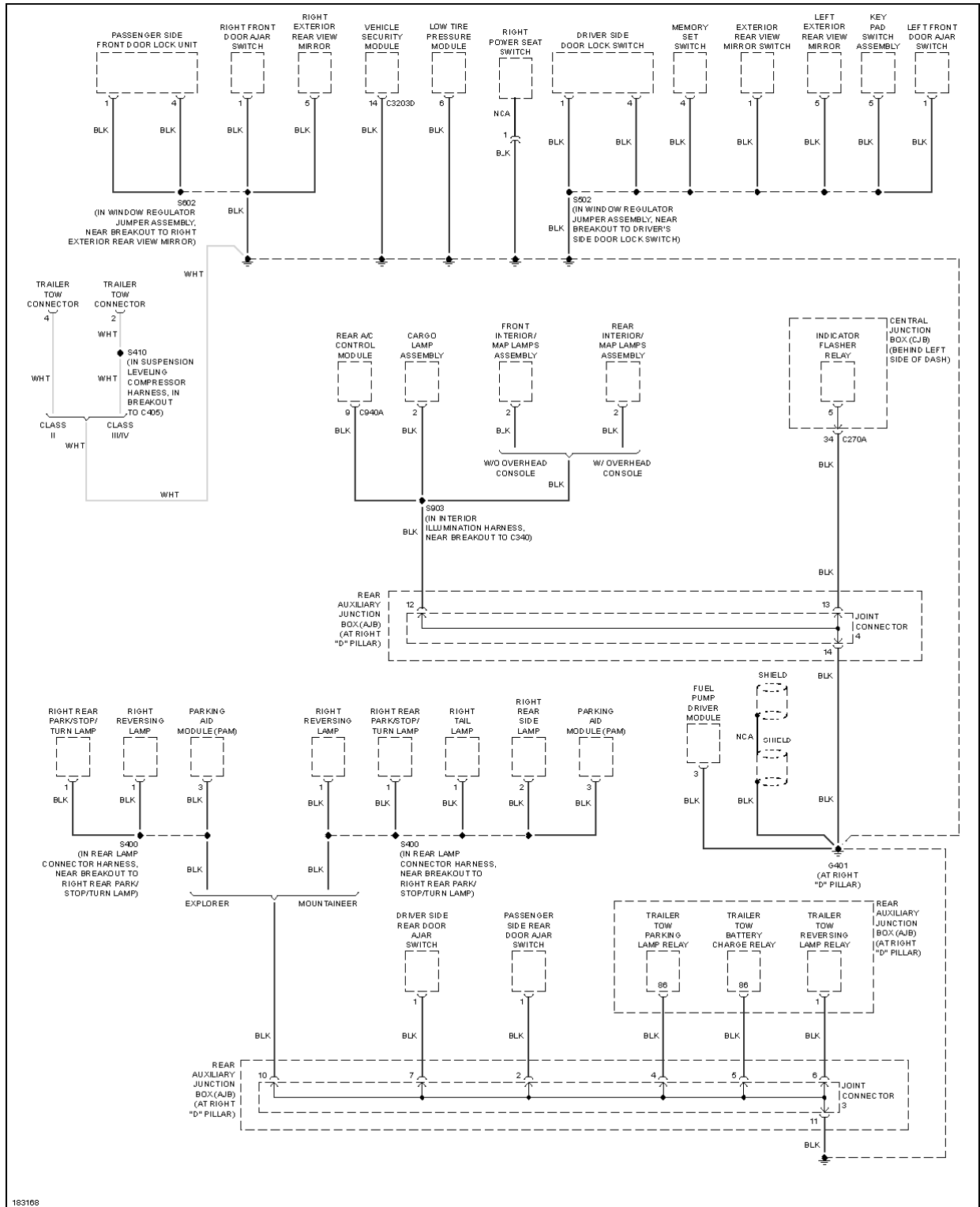


Fig. 28: Ground Distribution Circuit (2 of 4)

# 2004 Ford Explorer

## SYSTEM WIRING DIAGRAMS Ford - Explorer



**Fig. 29: Ground Distribution Circuit (3 of 4)**

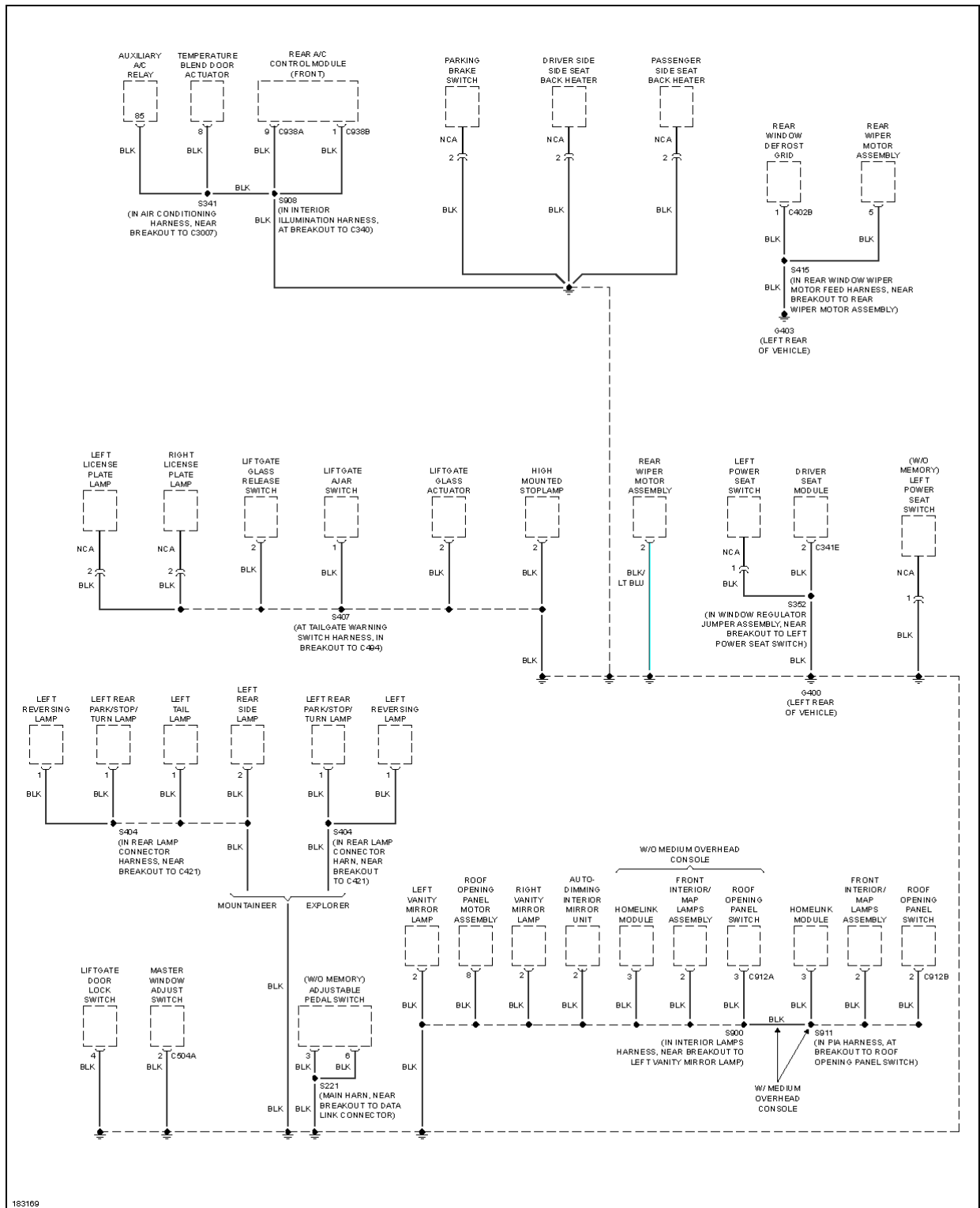
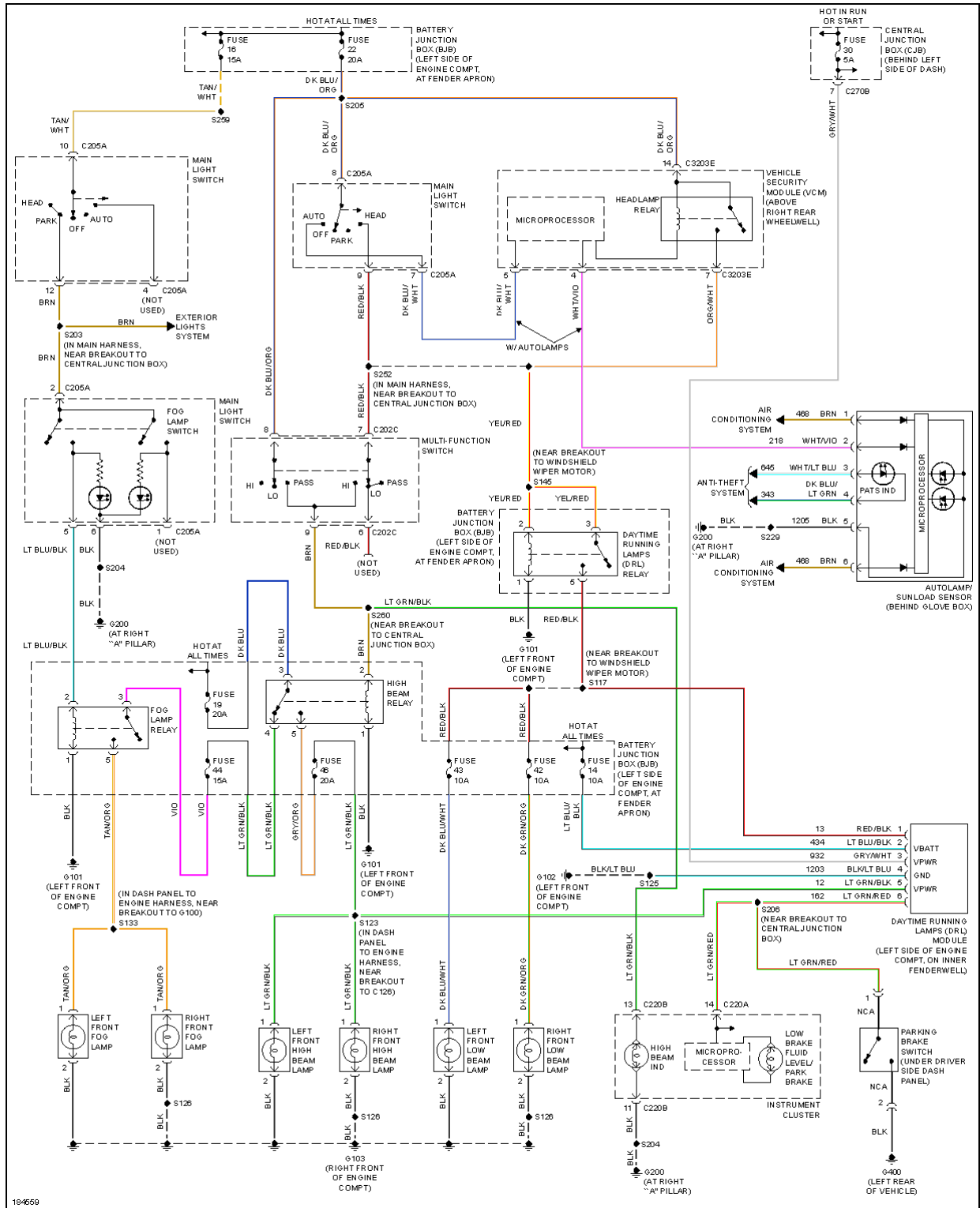


Fig. 30: Ground Distribution Circuit (4 of 4)

HEADLIGHTS

# 2004 Ford Explorer

## SYSTEM WIRING DIAGRAMS Ford - Explorer



**Fig. 31: Headlights Circuit, W/ DRL**



# 2004 Ford Explorer

## SYSTEM WIRING DIAGRAMS Ford - Explorer

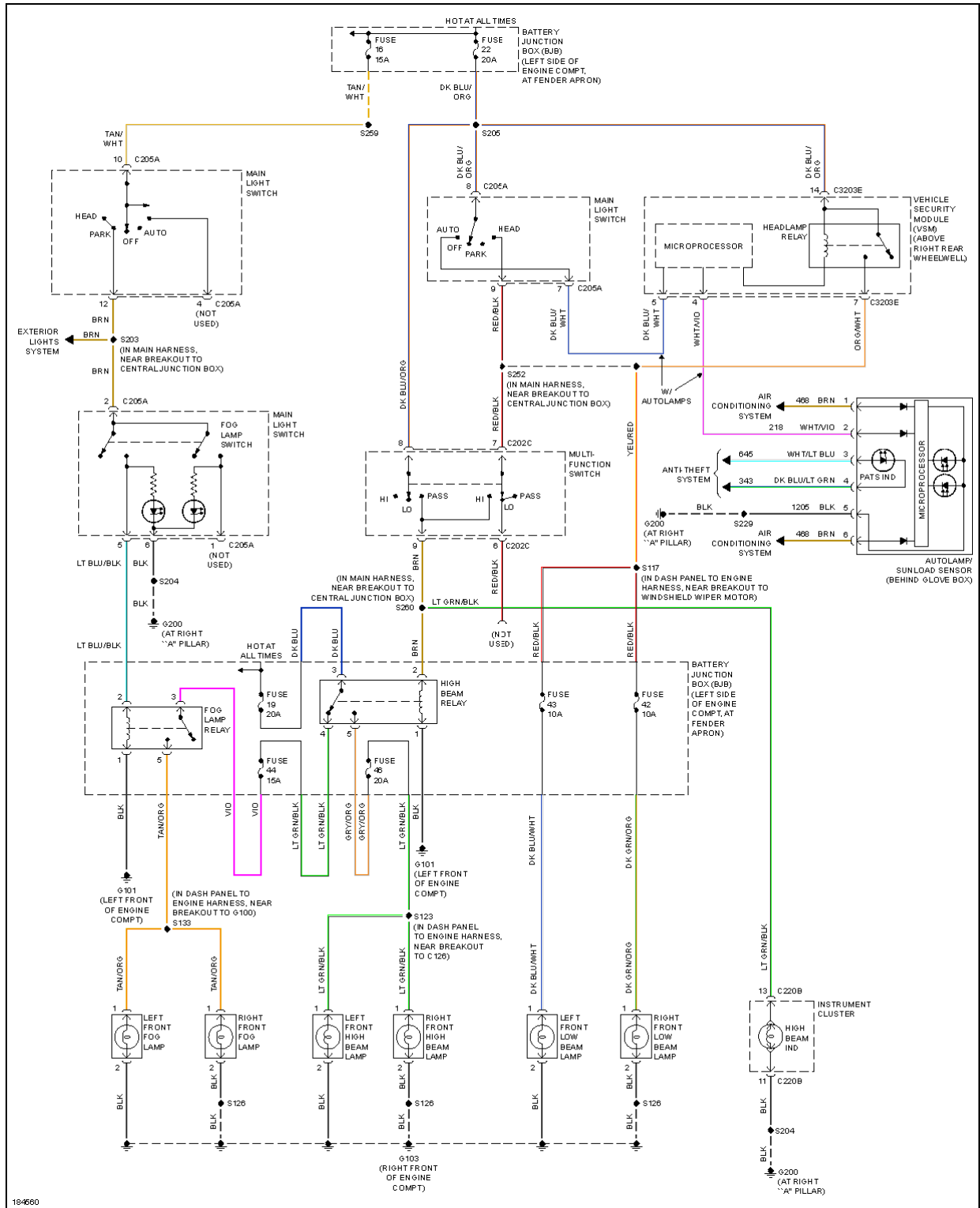


Fig. 32: Headlights Circuit, W/O DRL

### HORN

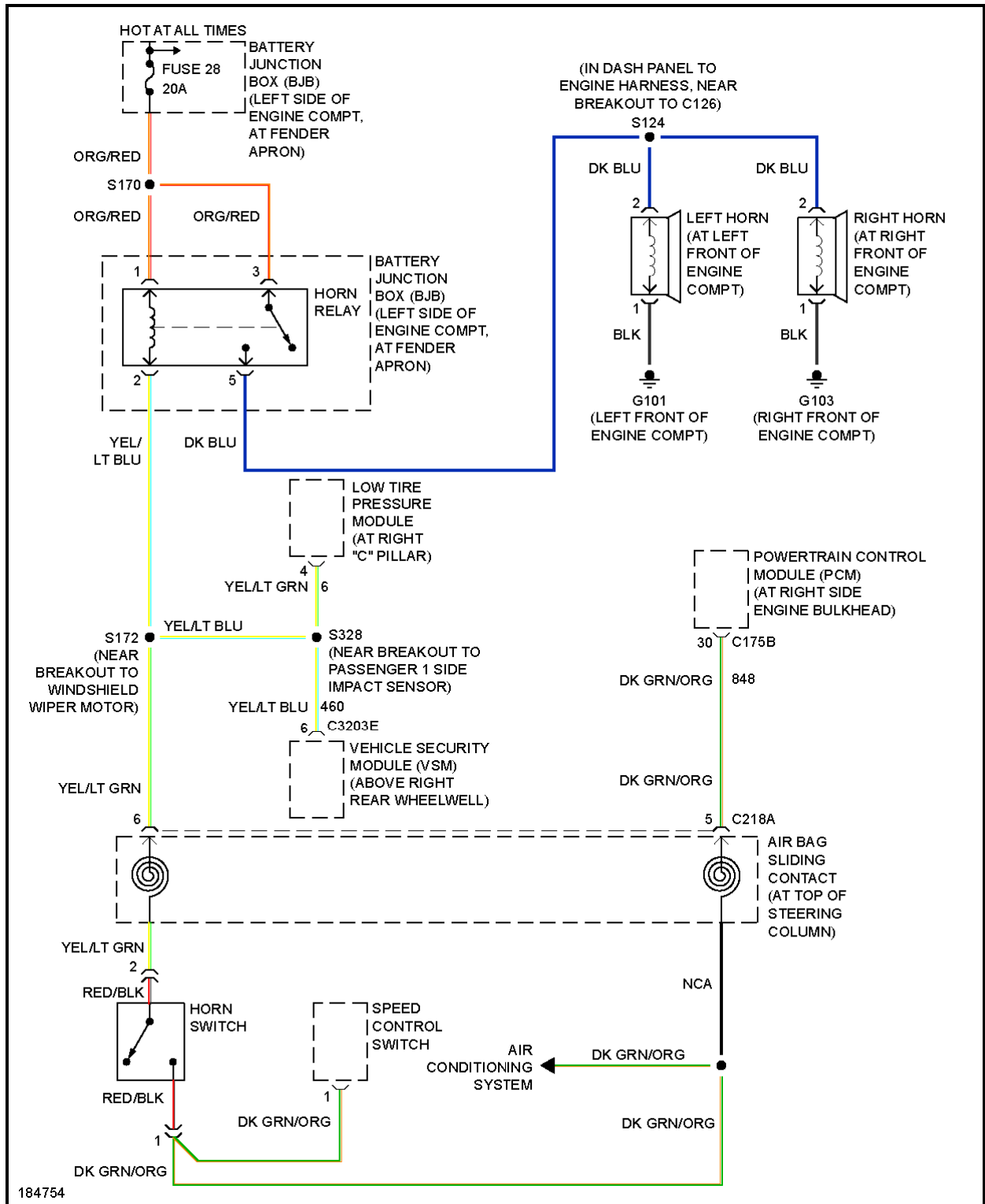
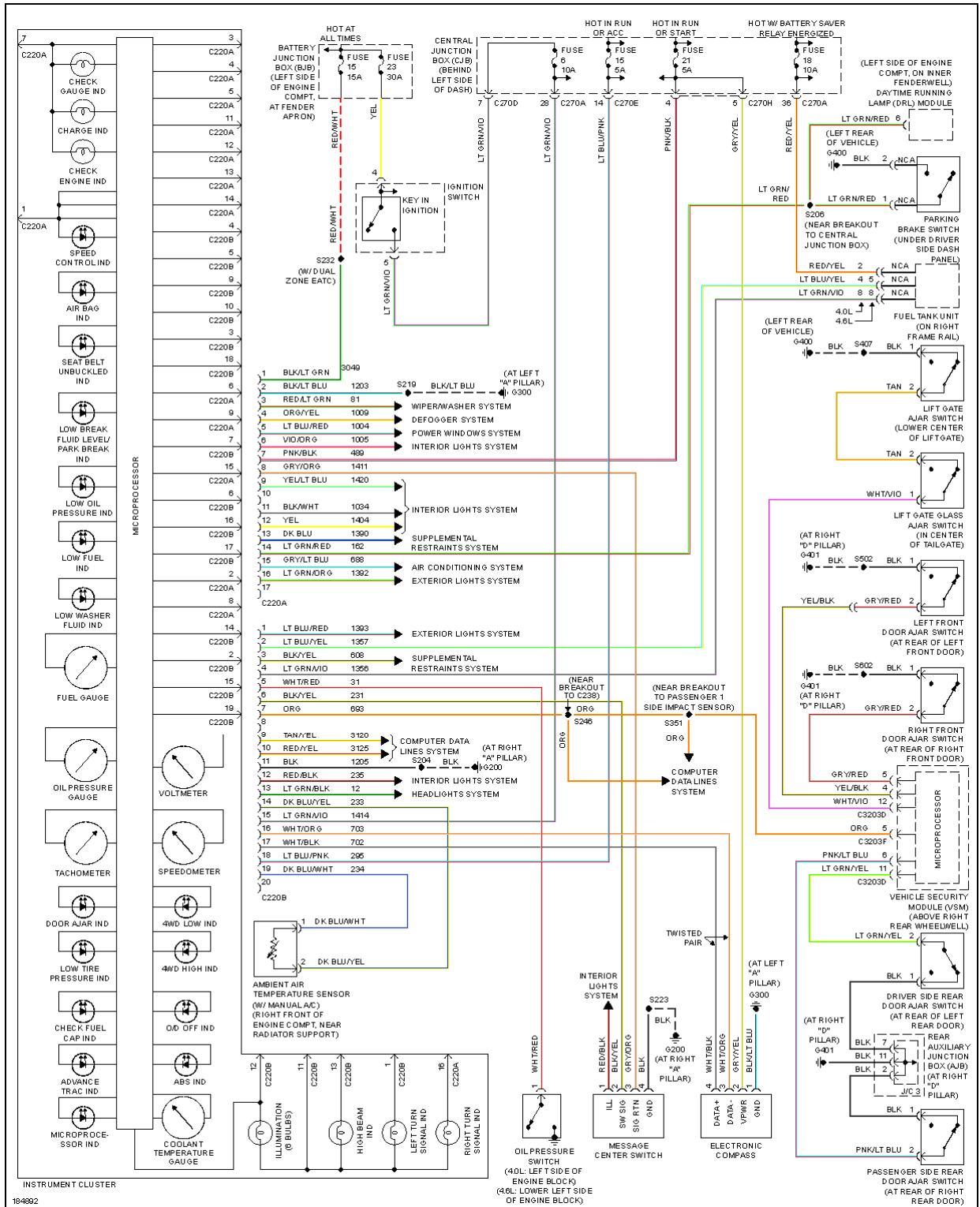


Fig. 33: Horn Circuit

## INSTRUMENT CLUSTER

# 2004 Ford Explorer

## SYSTEM WIRING DIAGRAMS Ford - Explorer

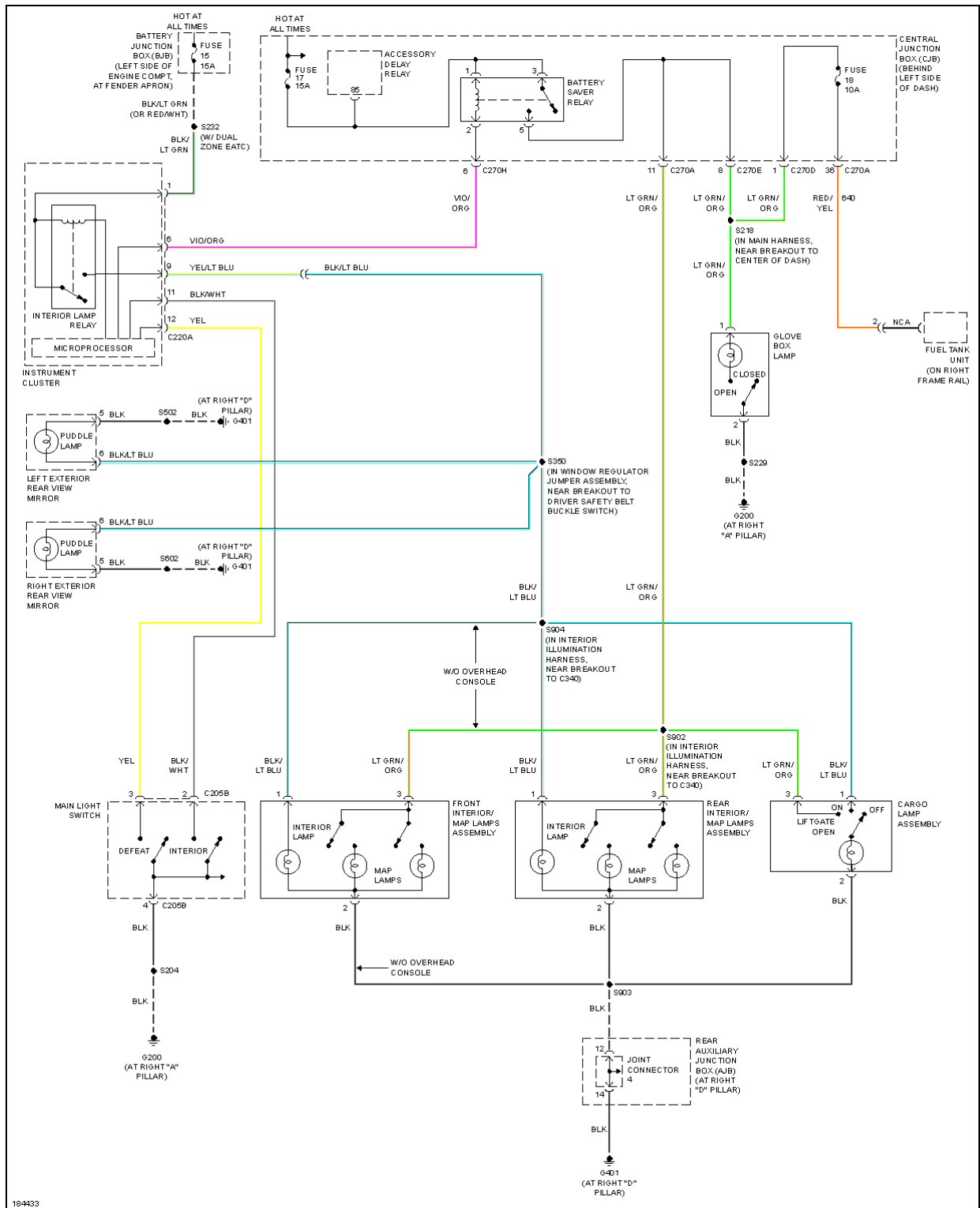


**Fig. 34: Instrument Cluster Circuit**

## INTERIOR LIGHTS

# 2004 Ford Explorer

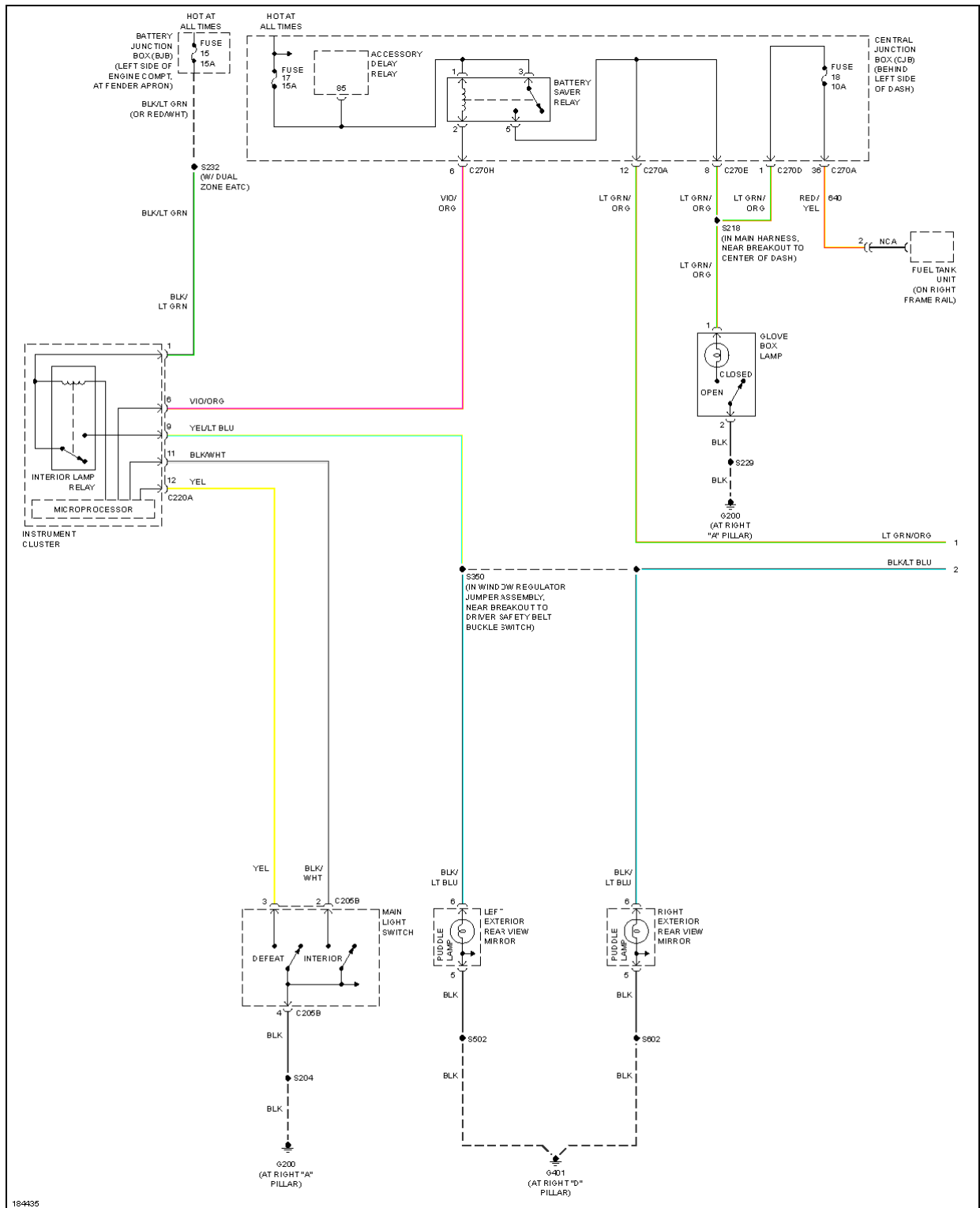
## SYSTEM WIRING DIAGRAMS Ford - Explorer



**Fig. 35: Courtesy Lamps Circuit, Base**

# 2004 Ford Explorer

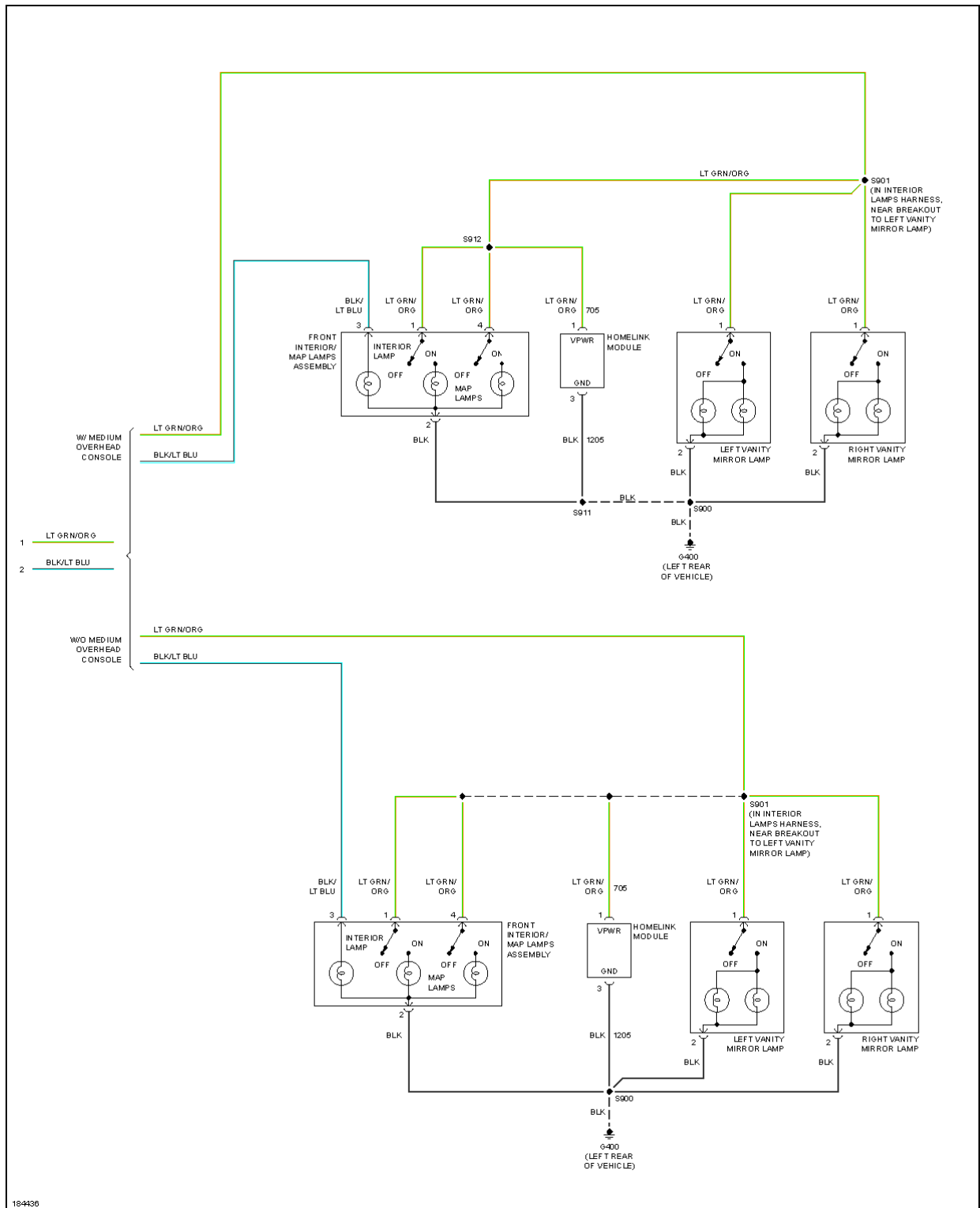
## SYSTEM WIRING DIAGRAMS Ford - Explorer



**Fig. 36: Courtesy Lamps Circuit, Except Base (1 of 2)**

# 2004 Ford Explorer

## SYSTEM WIRING DIAGRAMS Ford - Explorer



**Fig. 37: Courtesy Lamps Circuit, Except Base (2 of 2)**

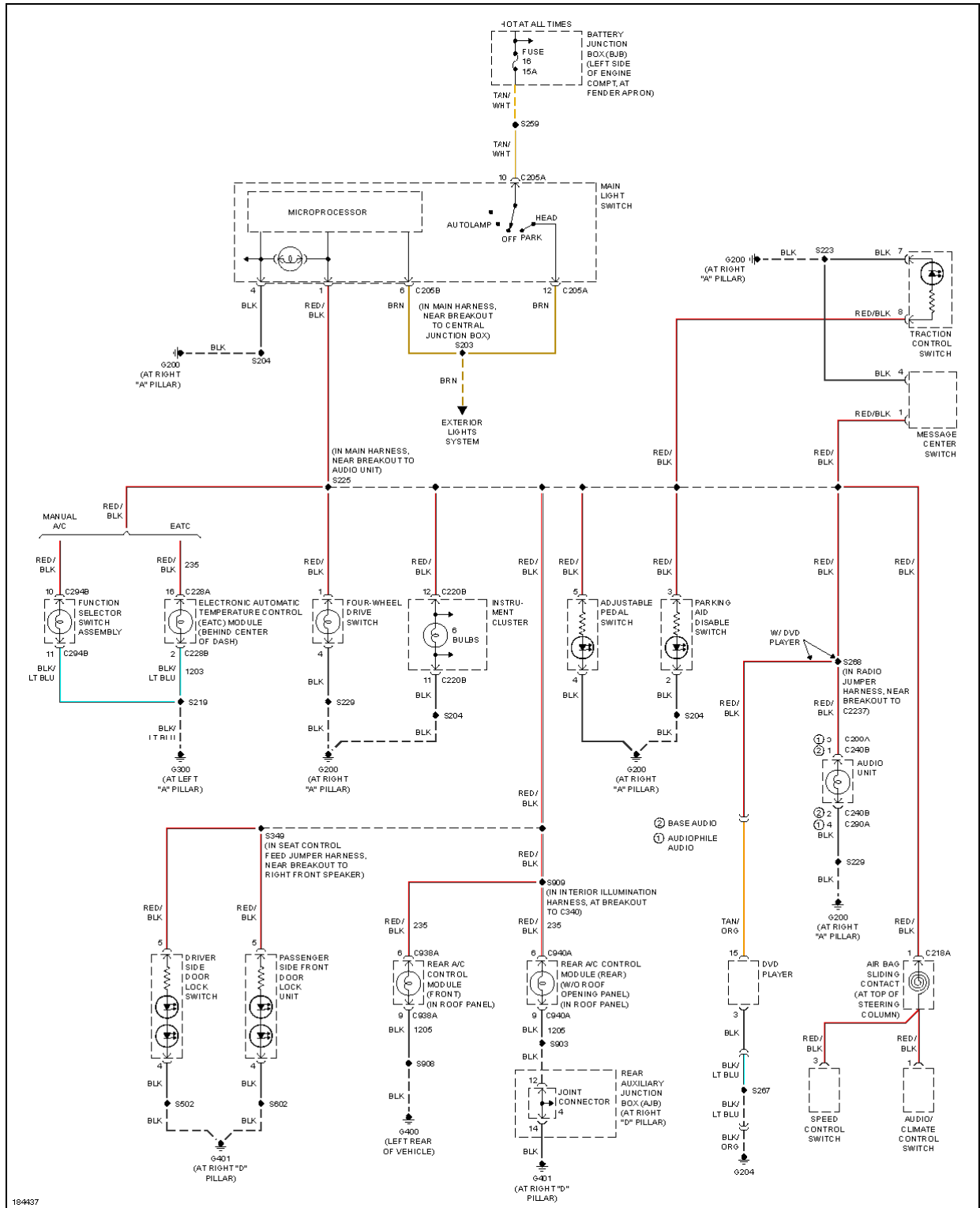
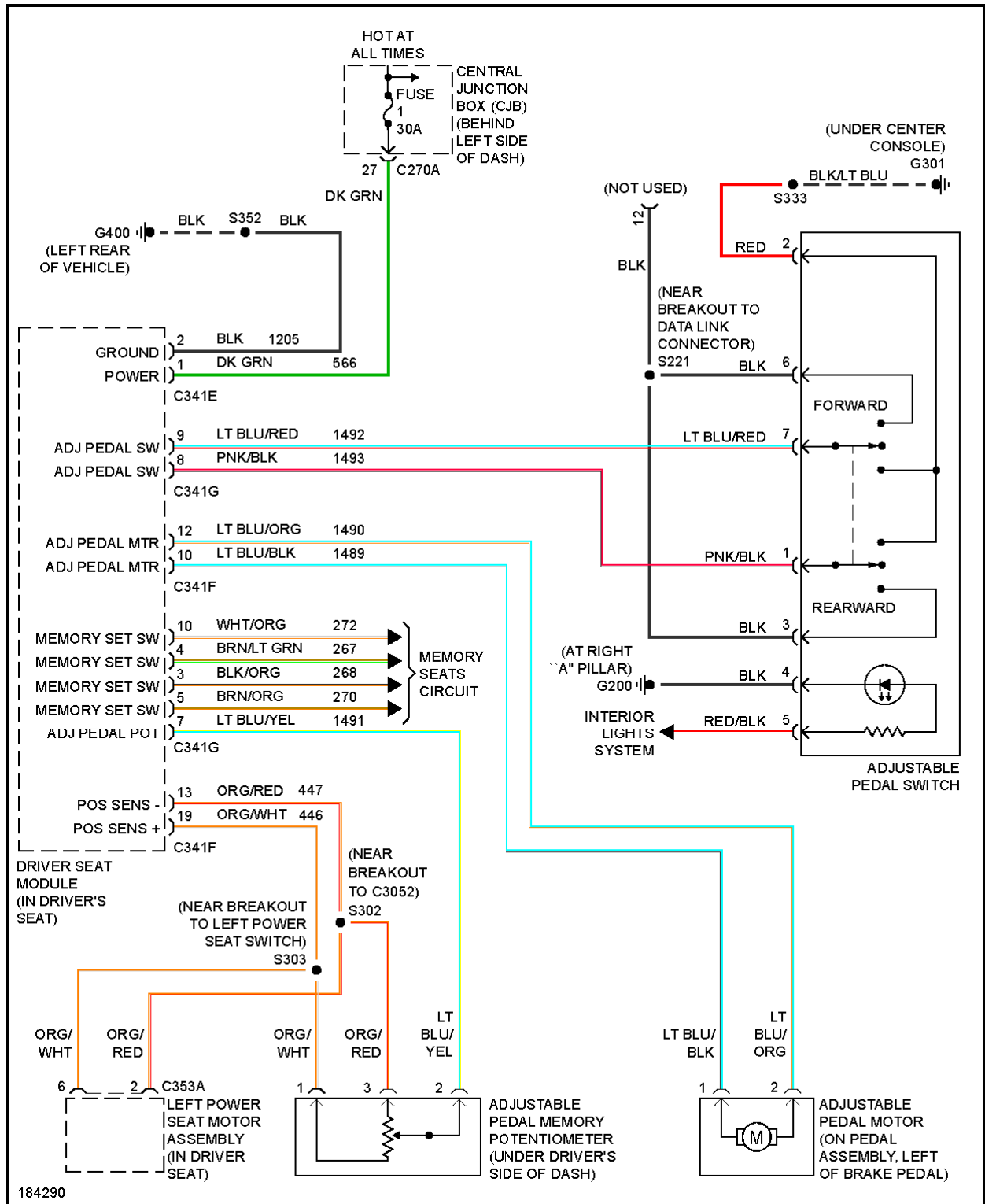


Fig. 38: Instrument Illumination Circuit

MEMORY SYSTEMS

# 2004 Ford Explorer

## SYSTEM WIRING DIAGRAMS Ford - Explorer

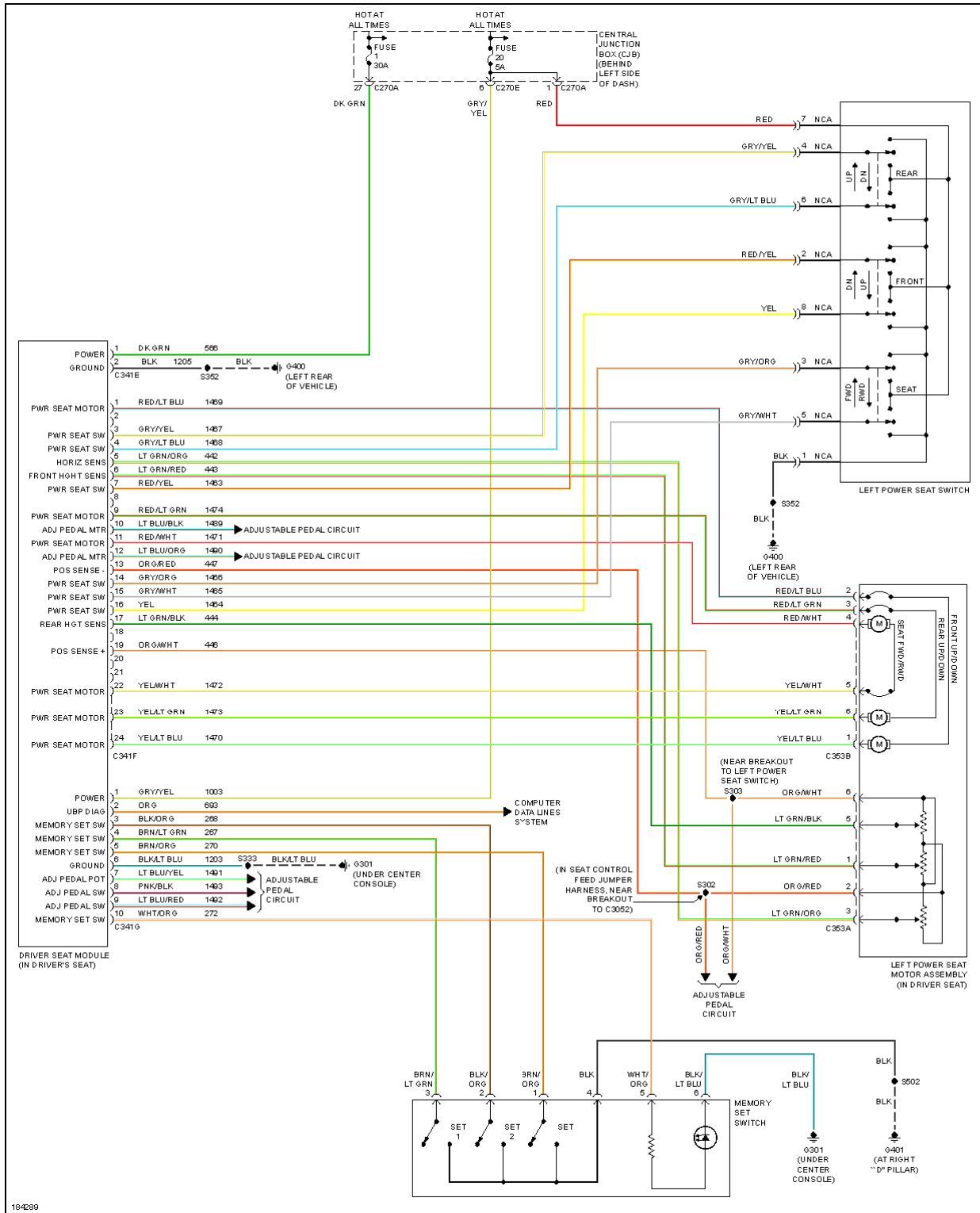


**Fig. 39: Adjustable Pedal Circuit**



# 2004 Ford Explorer

## SYSTEM WIRING DIAGRAMS Ford - Explorer



**Fig. 40: Driver's Memory Seat Circuit**

### NAVIGATION

Home

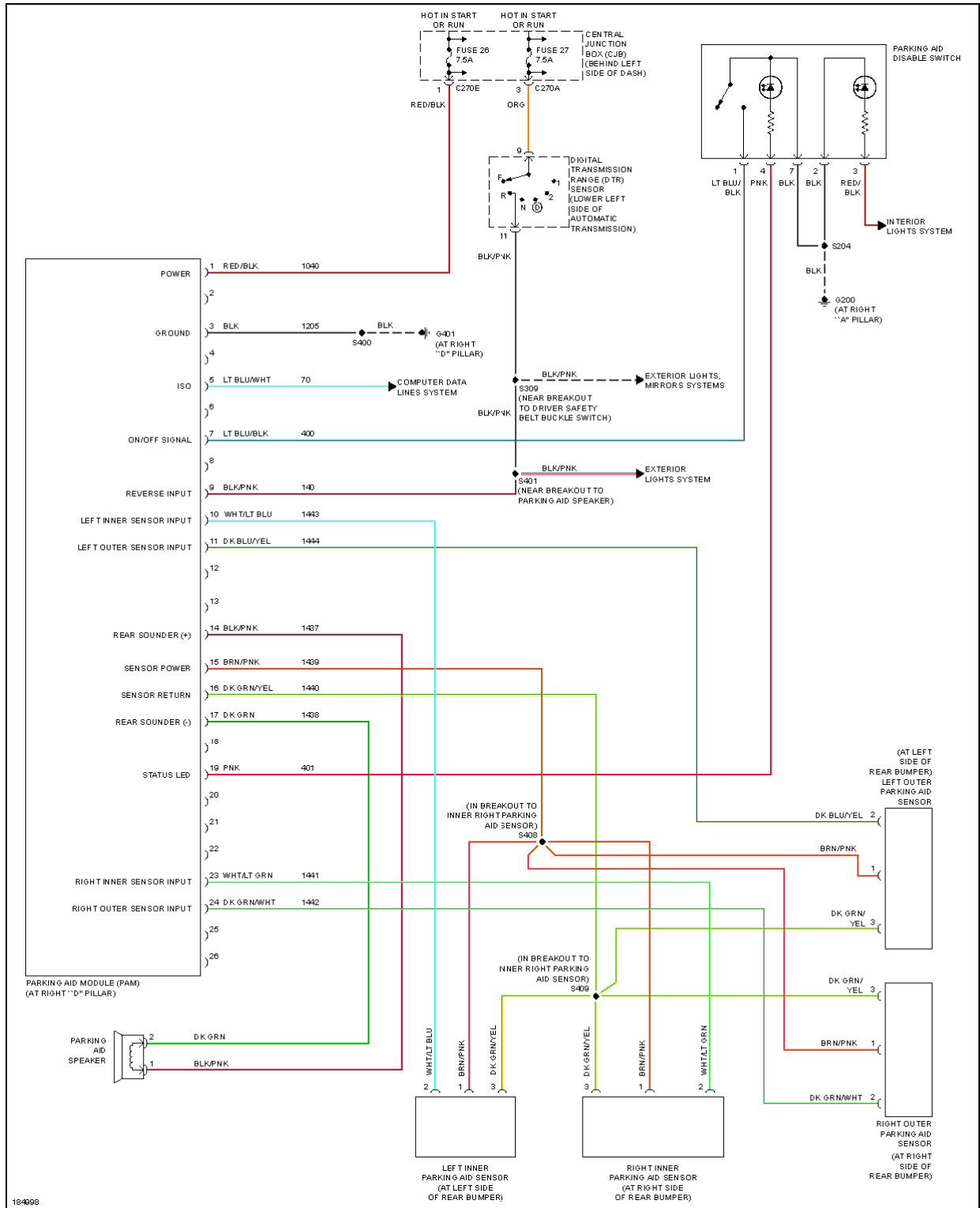
29 октября 2006 г. 8:21:54

Page 41

© 2004 Mitchell Repair Information Company, LLC.

# 2004 Ford Explorer

## SYSTEM WIRING DIAGRAMS Ford - Explorer



184998

**Fig. 41: Parking Assistant Circuit**

### POWER DISTRIBUTION

# 2004 Ford Explorer

## SYSTEM WIRING DIAGRAMS Ford - Explorer

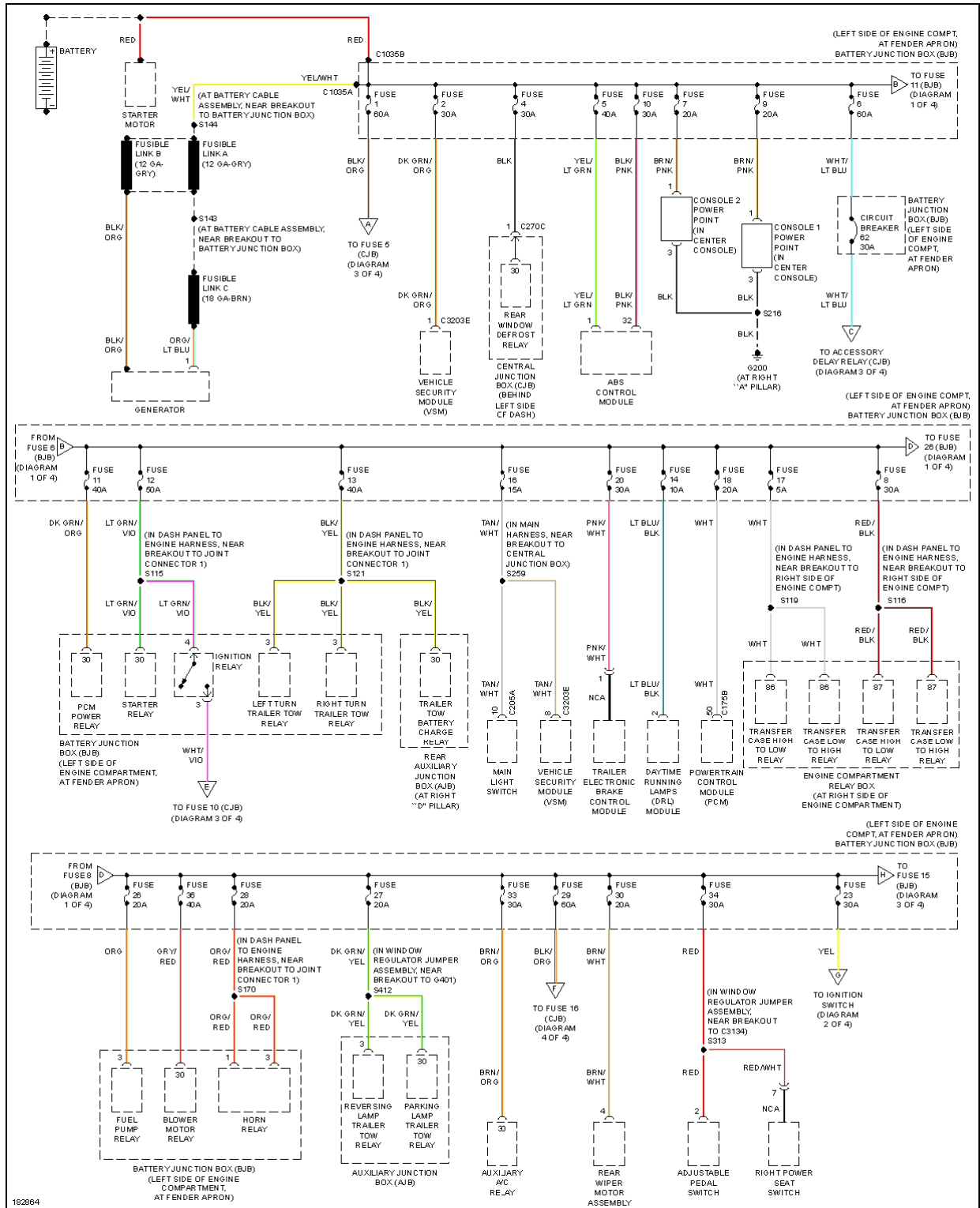
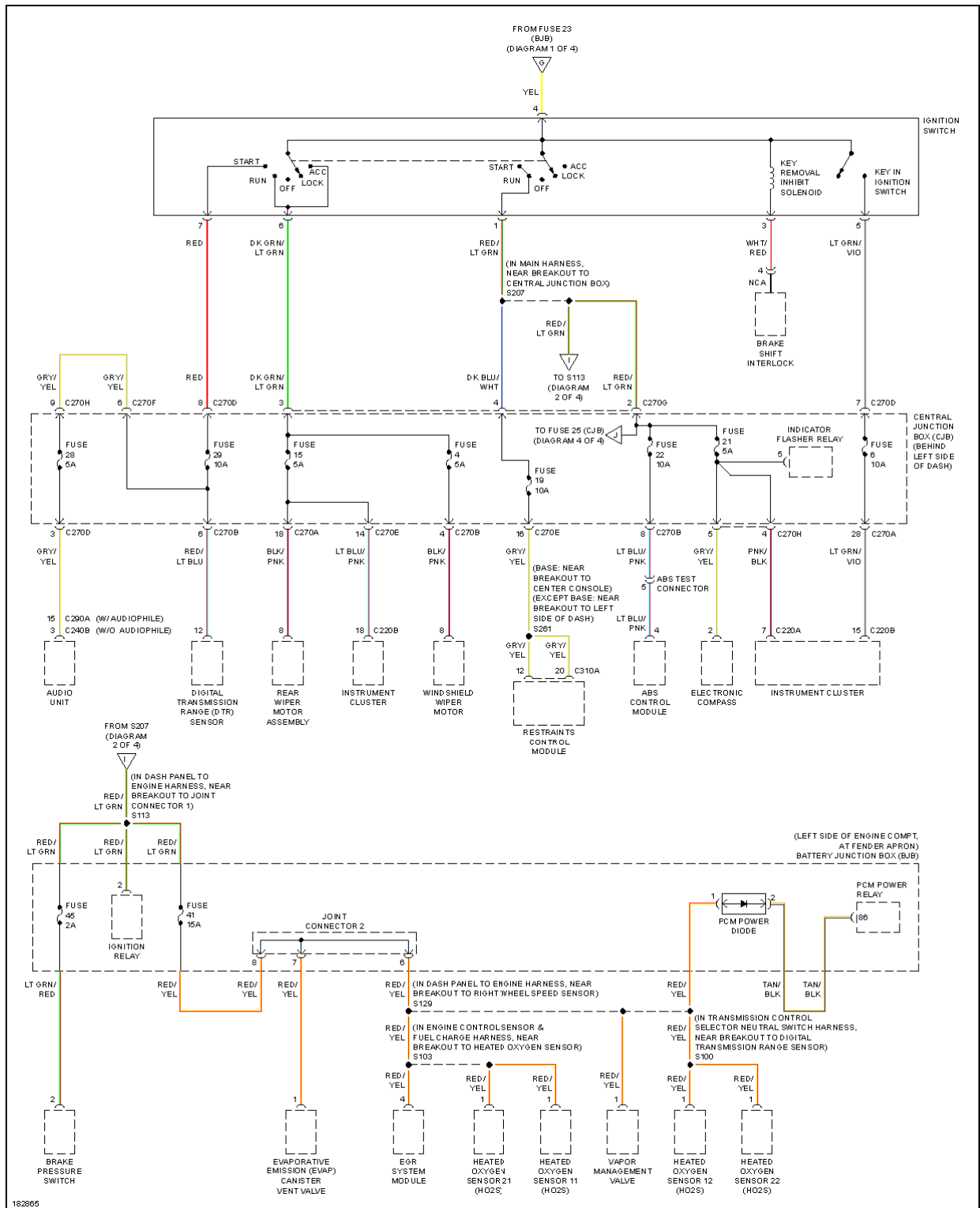


Fig. 42: Power Distribution Circuit (1 of 4)

# 2004 Ford Explorer

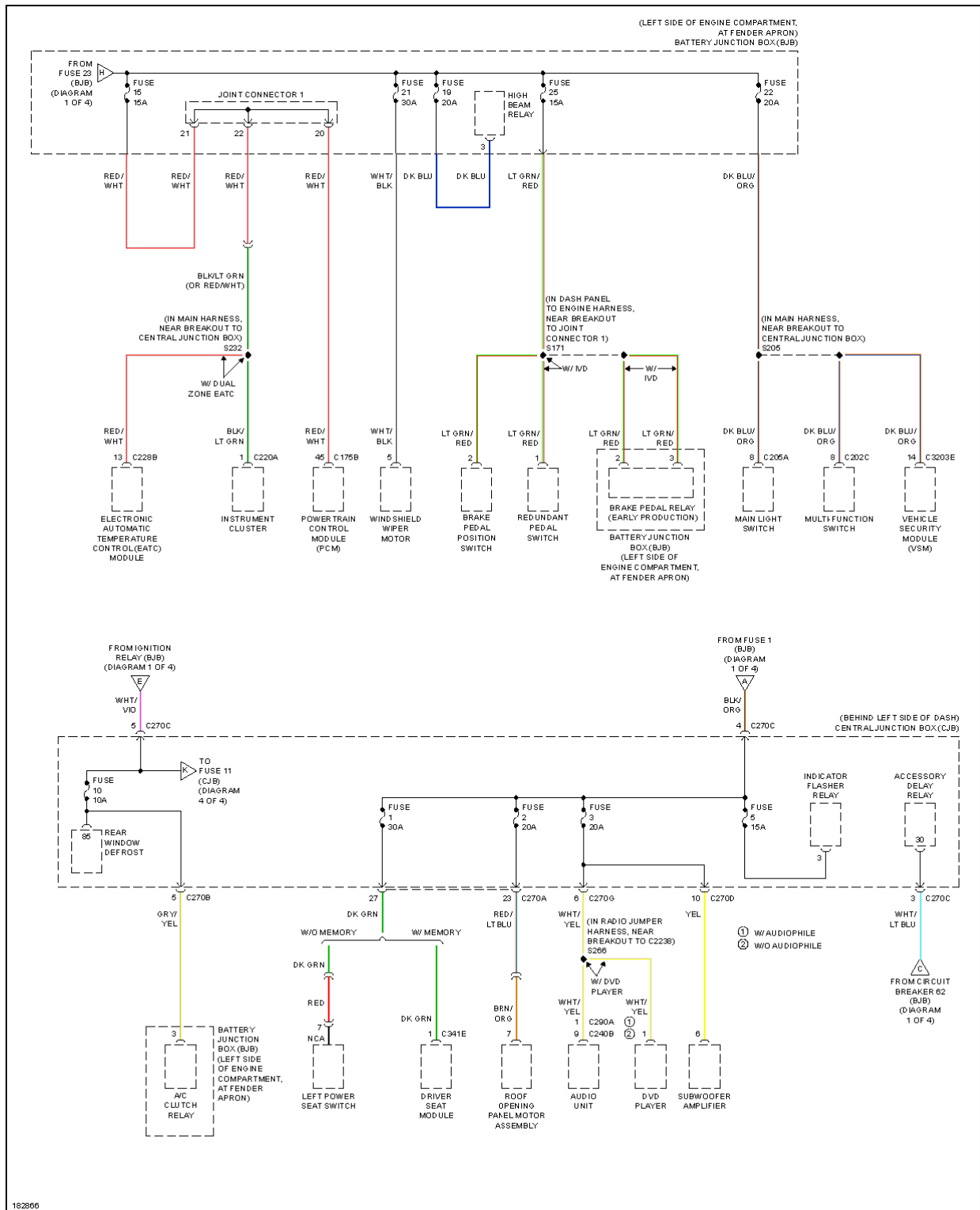
## SYSTEM WIRING DIAGRAMS Ford - Explorer



**Fig. 43: Power Distribution Circuit (2 of 4)**

# 2004 Ford Explorer

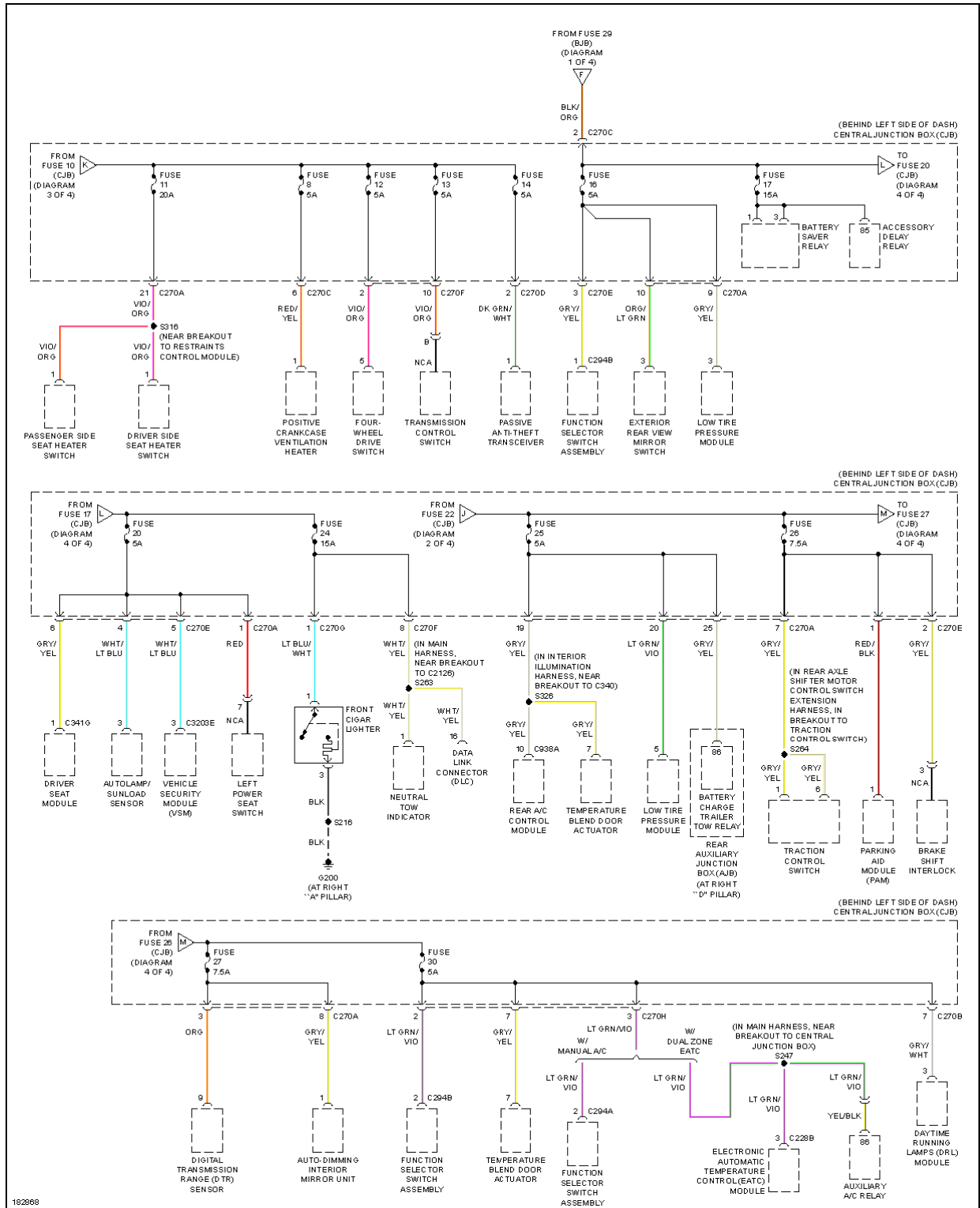
## SYSTEM WIRING DIAGRAMS Ford - Explorer



**Fig. 44: Power Distribution Circuit (3 of 4)**

# 2004 Ford Explorer

## SYSTEM WIRING DIAGRAMS Ford - Explorer

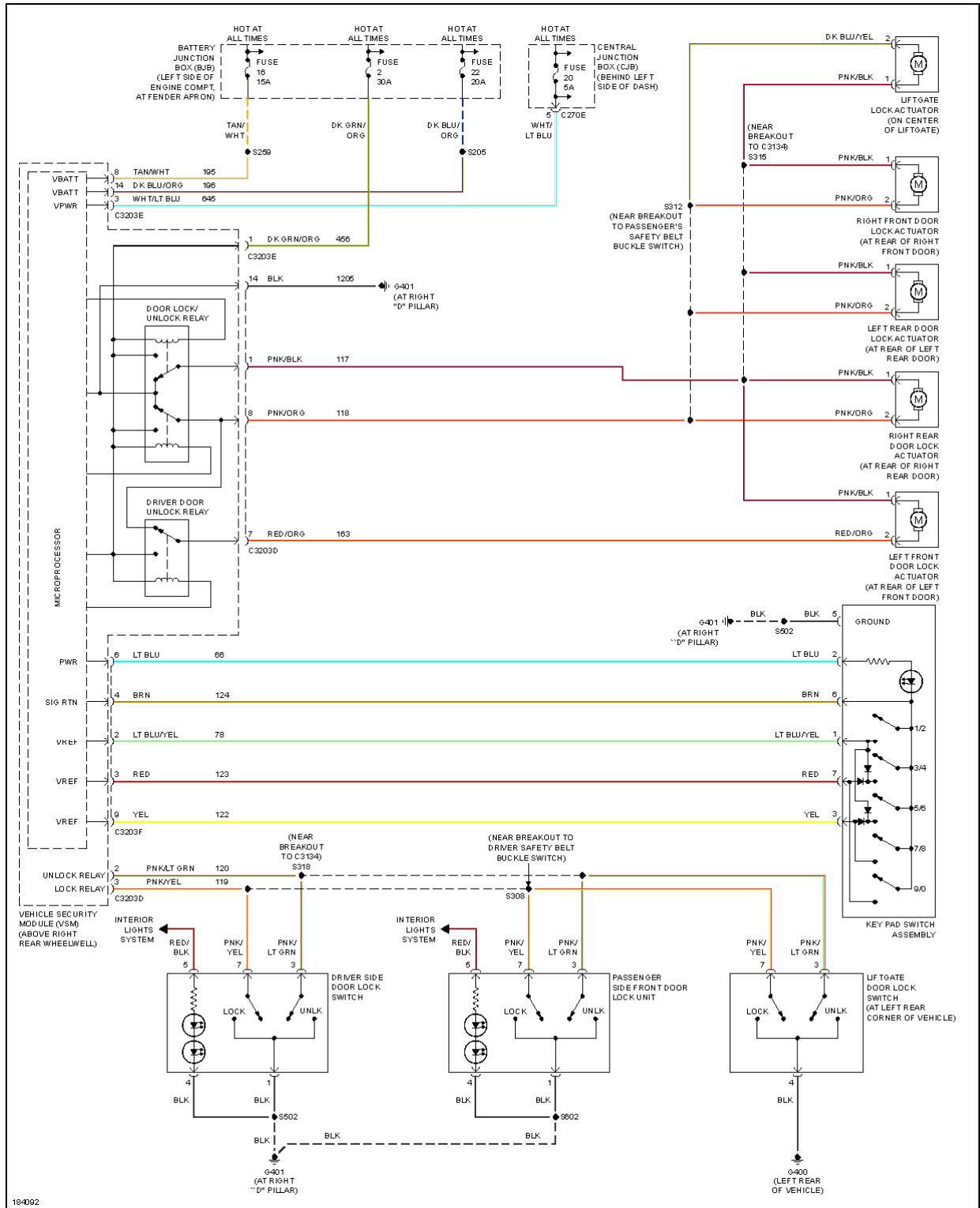


**Fig. 45: Power Distribution Circuit (4 of 4)**

### POWER DOOR LOCKS

# 2004 Ford Explorer

## SYSTEM WIRING DIAGRAMS Ford - Explorer

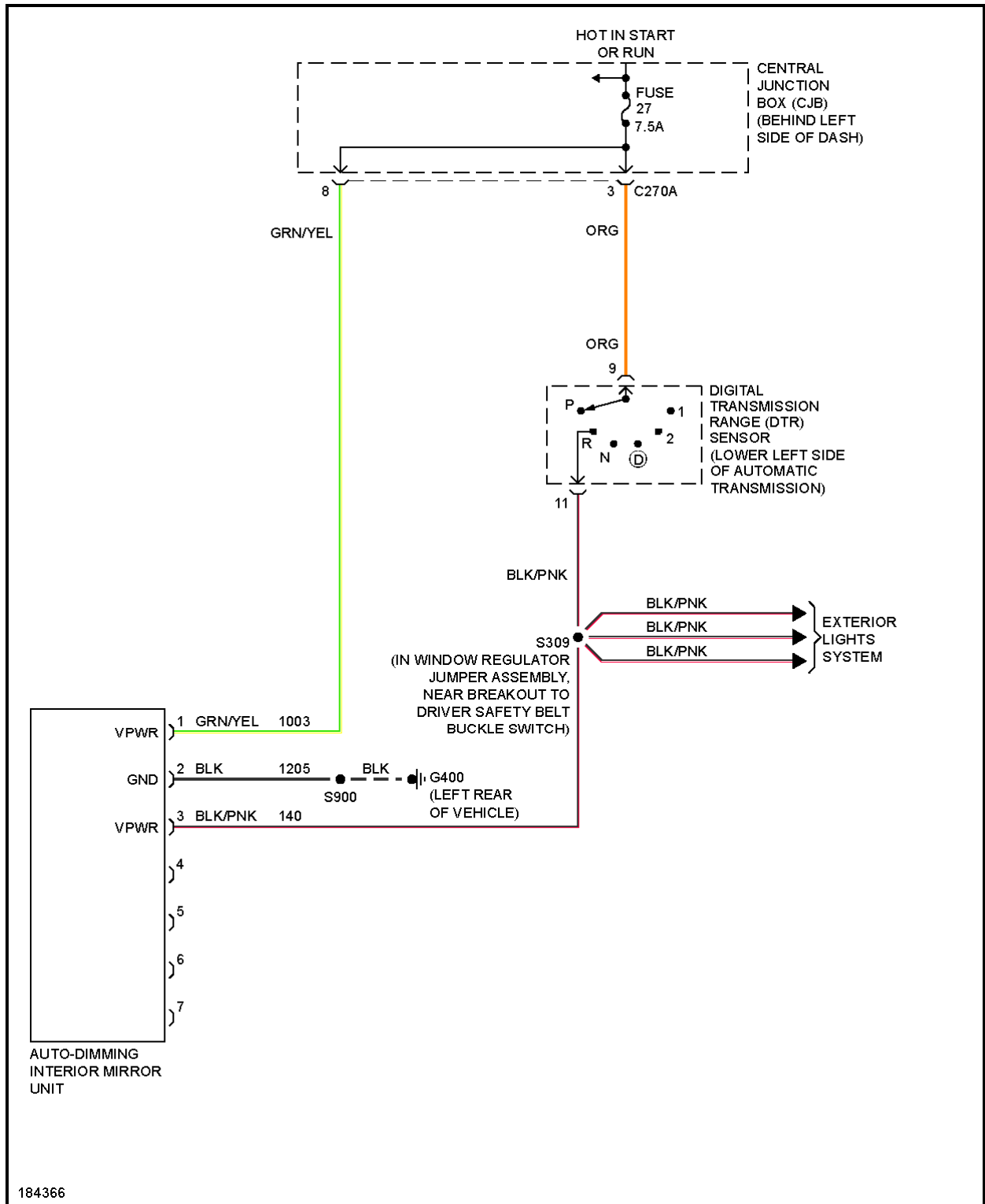


**Fig. 46: Power Door Locks Circuit**

## POWER MIRRORS

# 2004 Ford Explorer

## SYSTEM WIRING DIAGRAMS Ford - Explorer

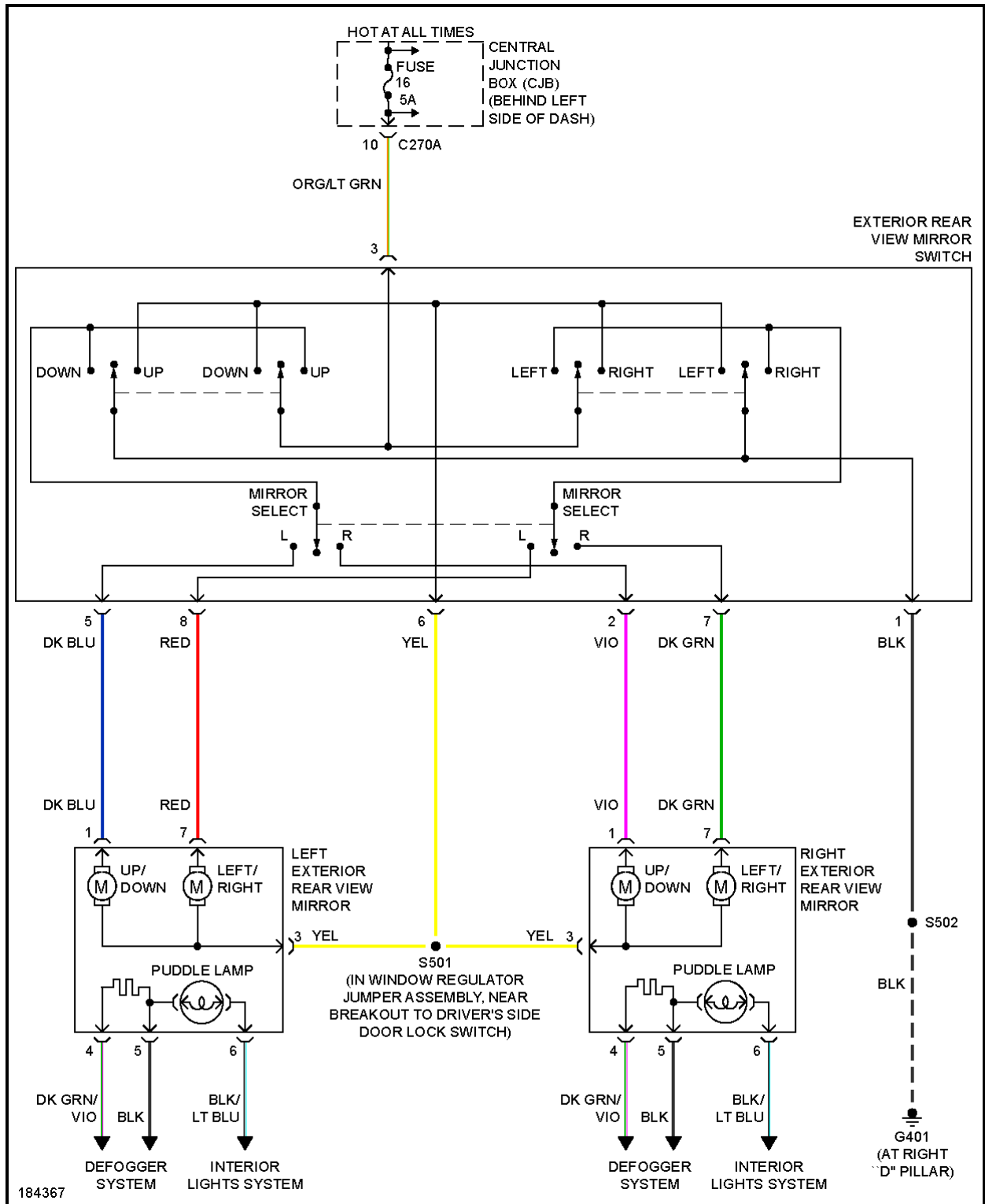


**Fig. 47: Electronic Day/Night Mirror Circuit**



# 2004 Ford Explorer

## SYSTEM WIRING DIAGRAMS Ford - Explorer



**Fig. 48: Power Mirrors Circuit**

## POWER SEATS

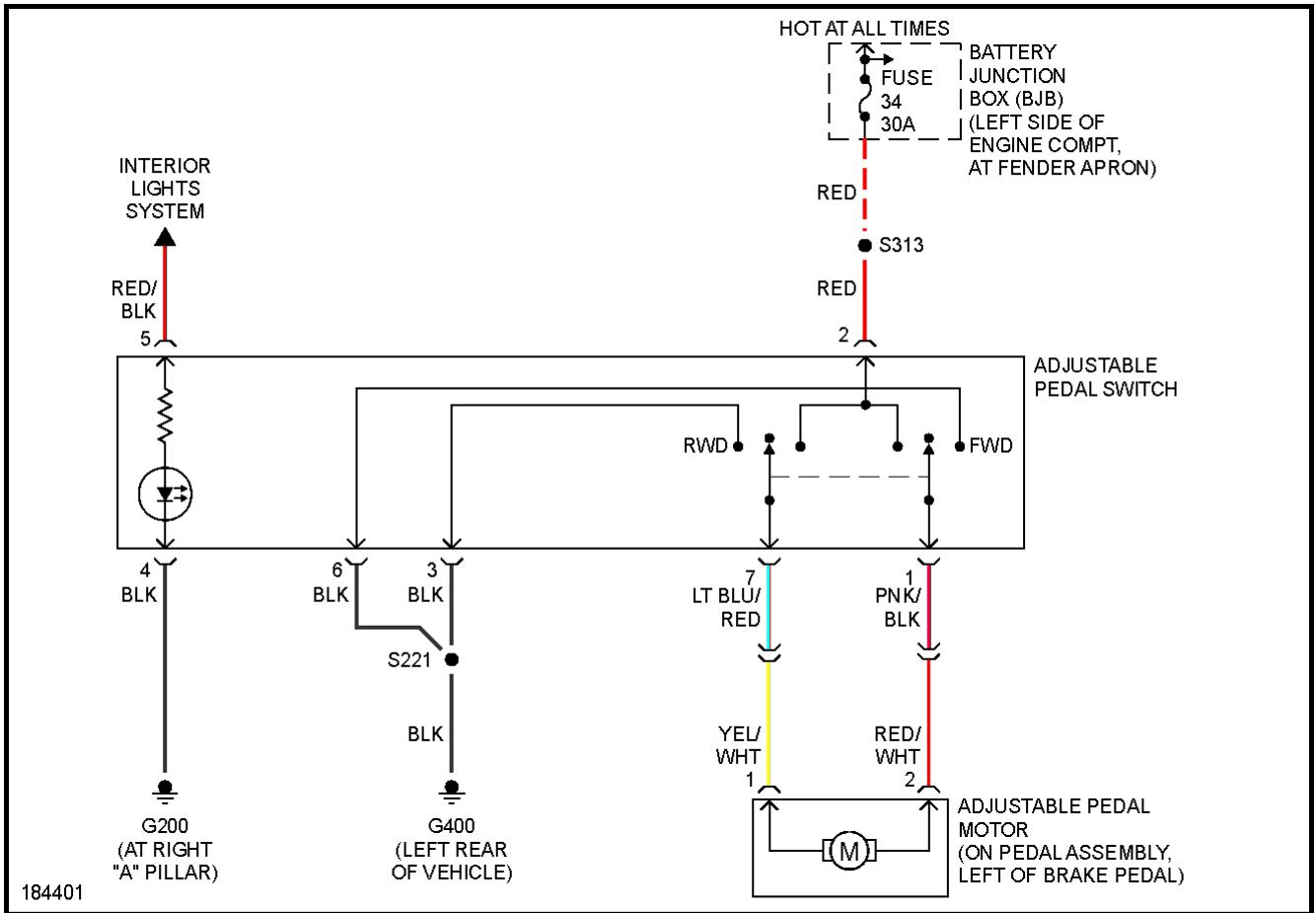


Fig. 49: Adjustable Pedal Circuit

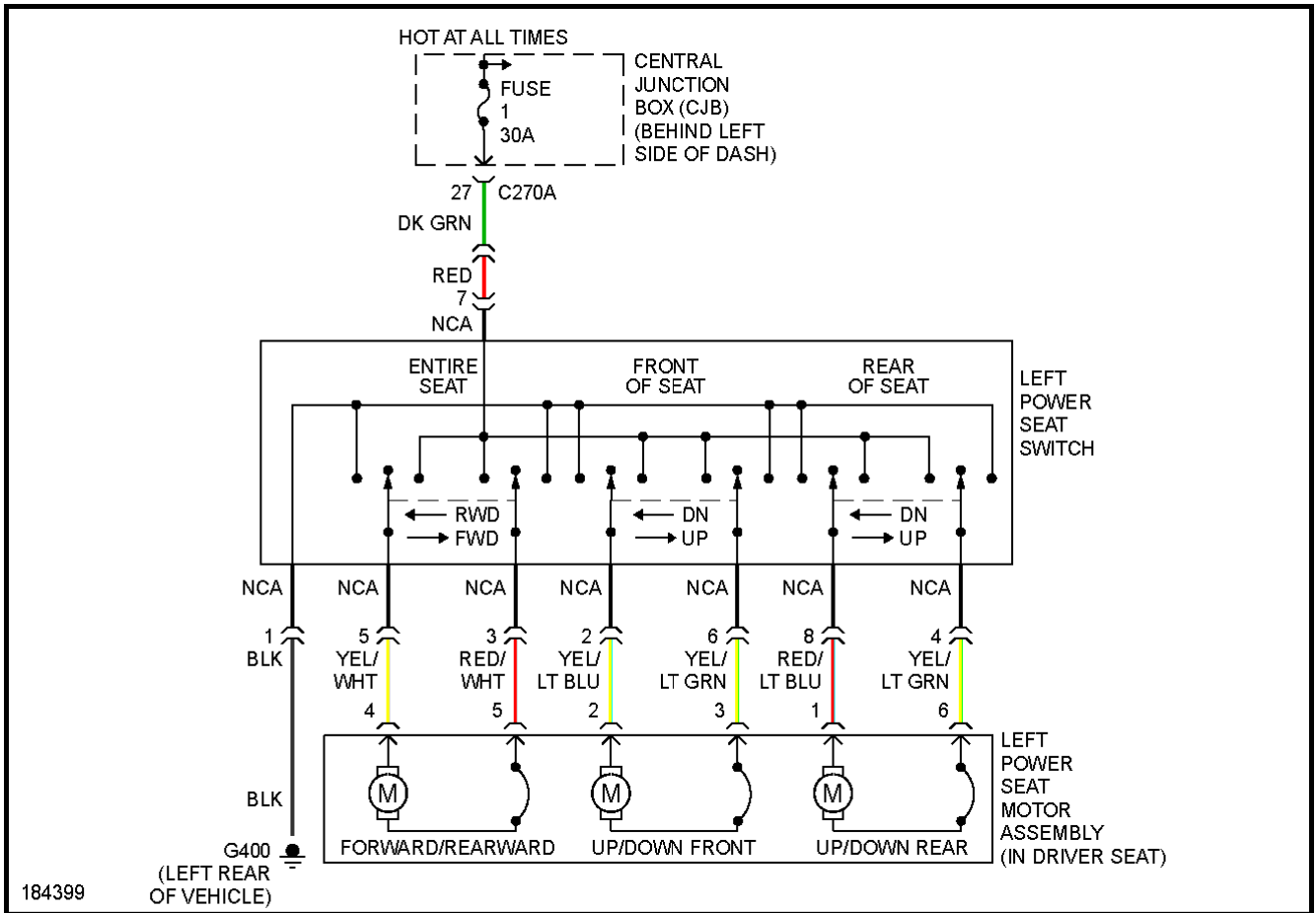


Fig. 50: Driver Power Seat Circuit

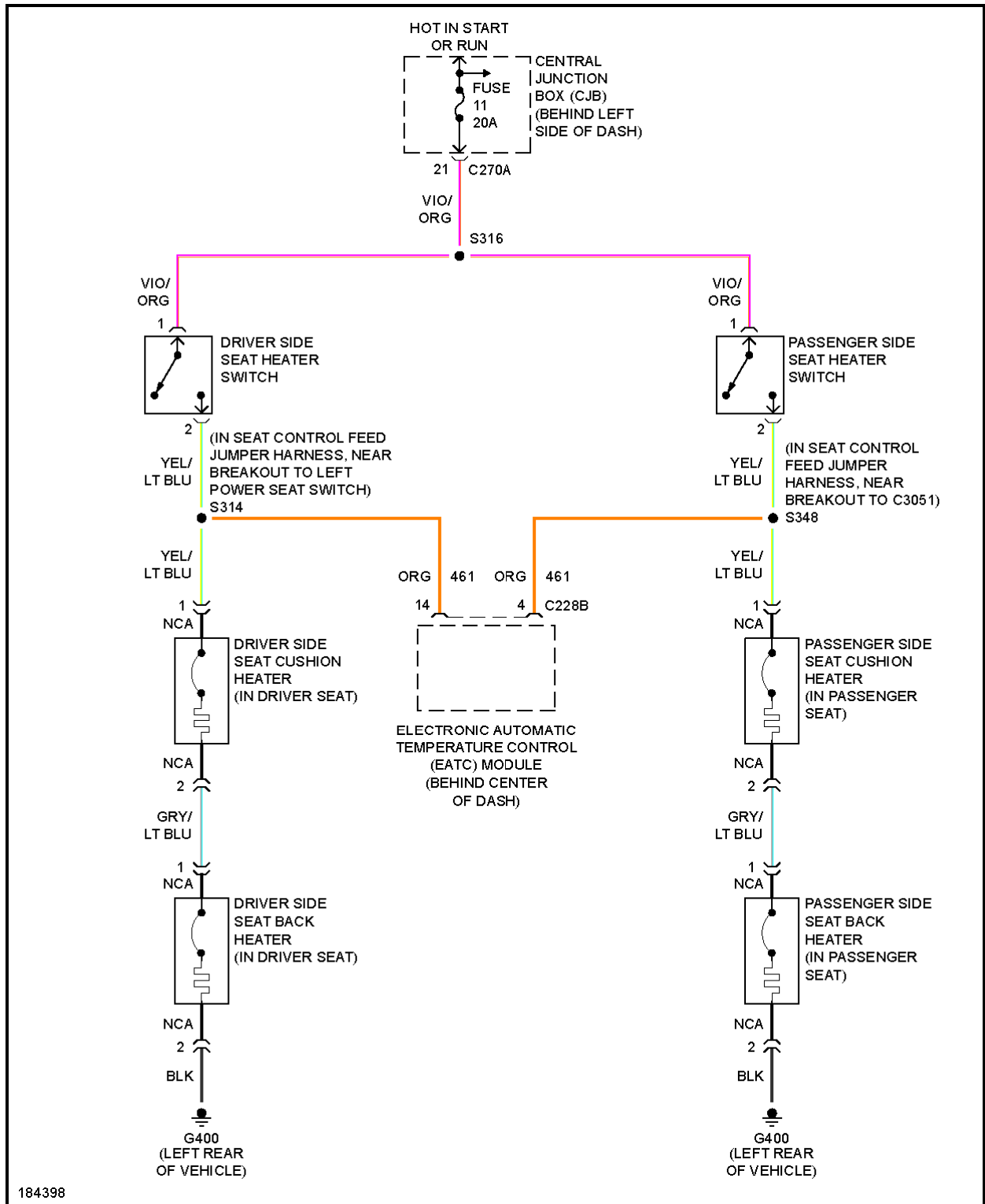


Fig. 51: Heated Seats Circuit

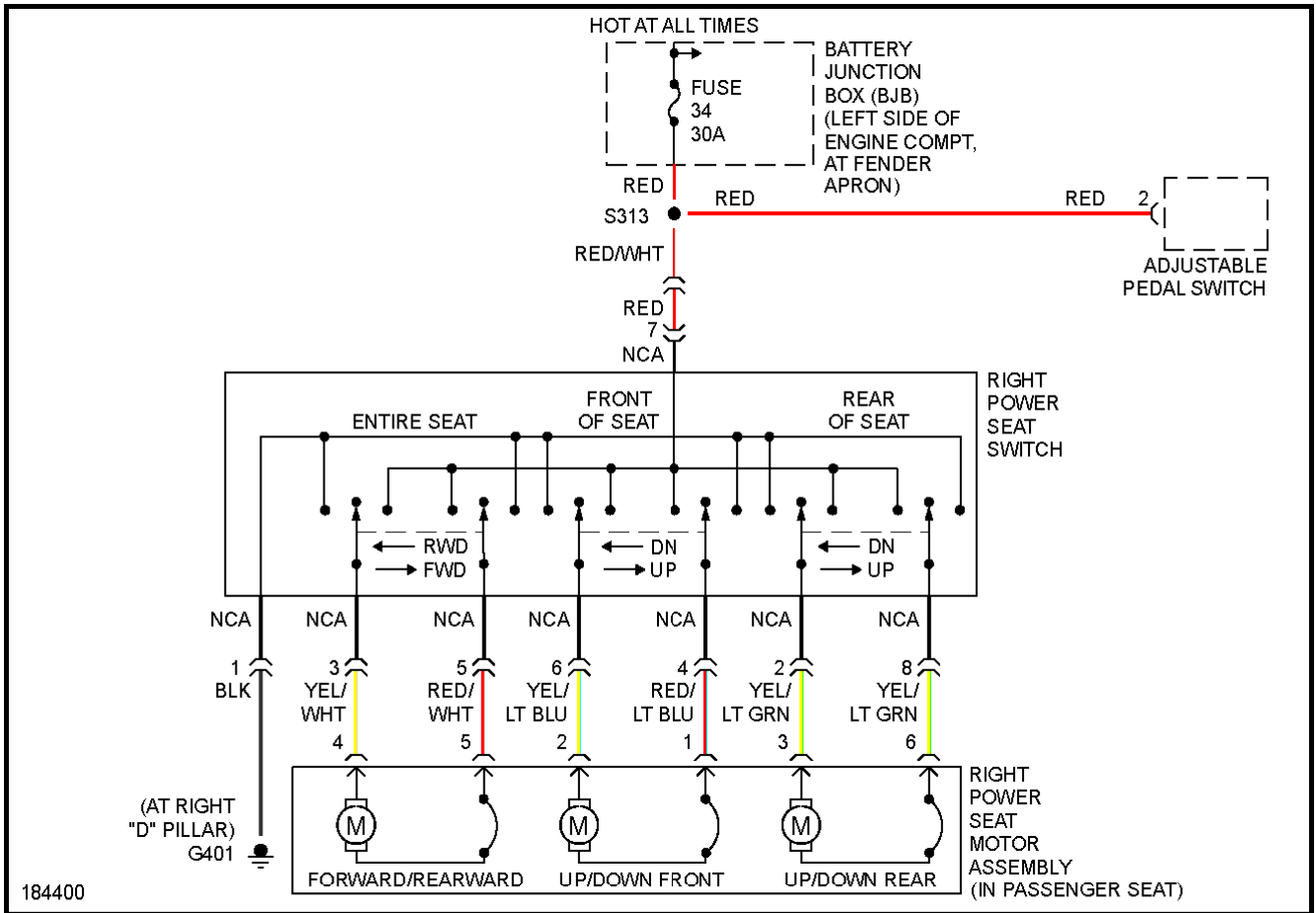
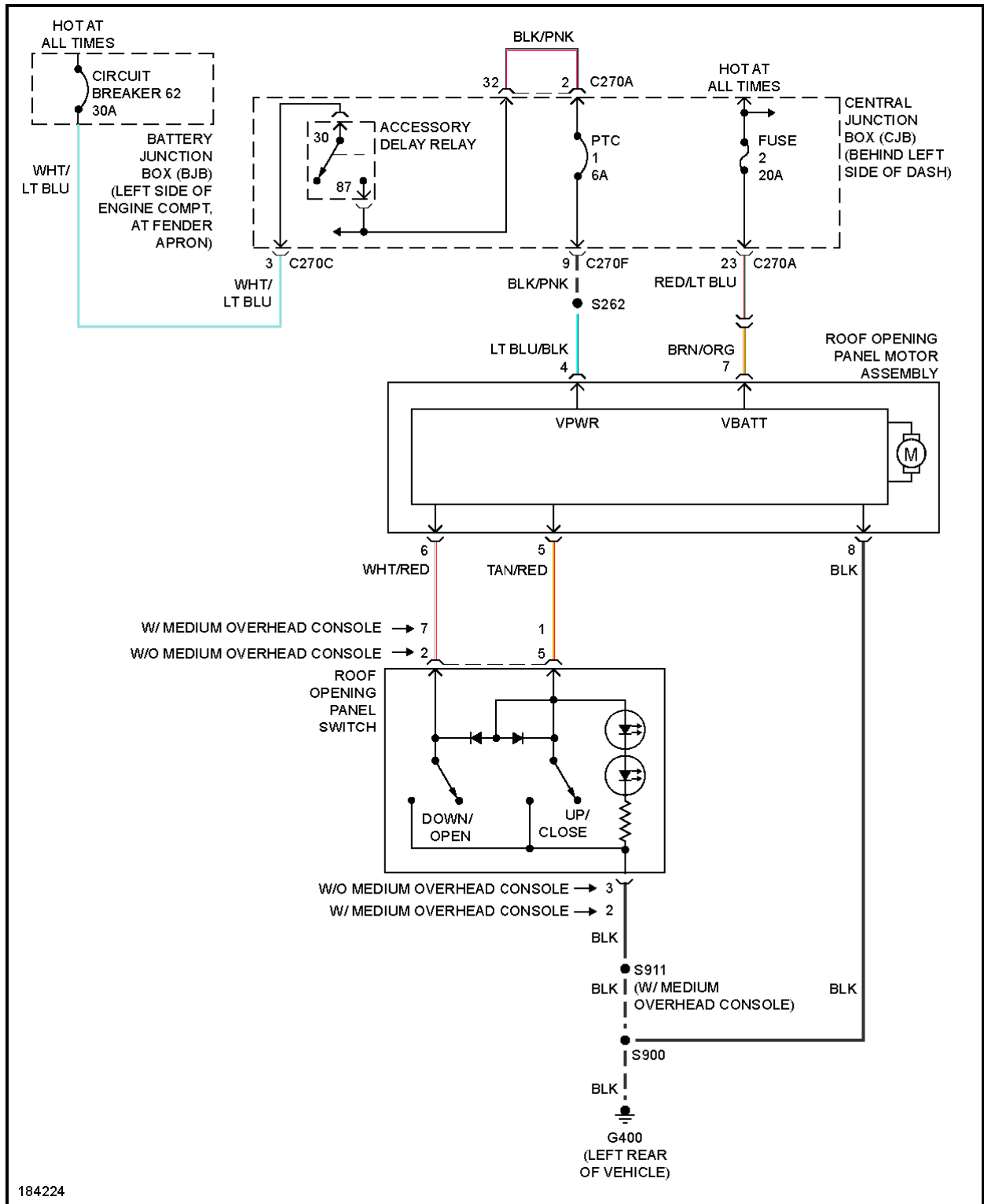


Fig. 52: Passenger Power Seat Circuit

POWER TOP/SUNROOF



184224

Fig. 53: Power Top/Sunroof Circuit

POWER WINDOWS

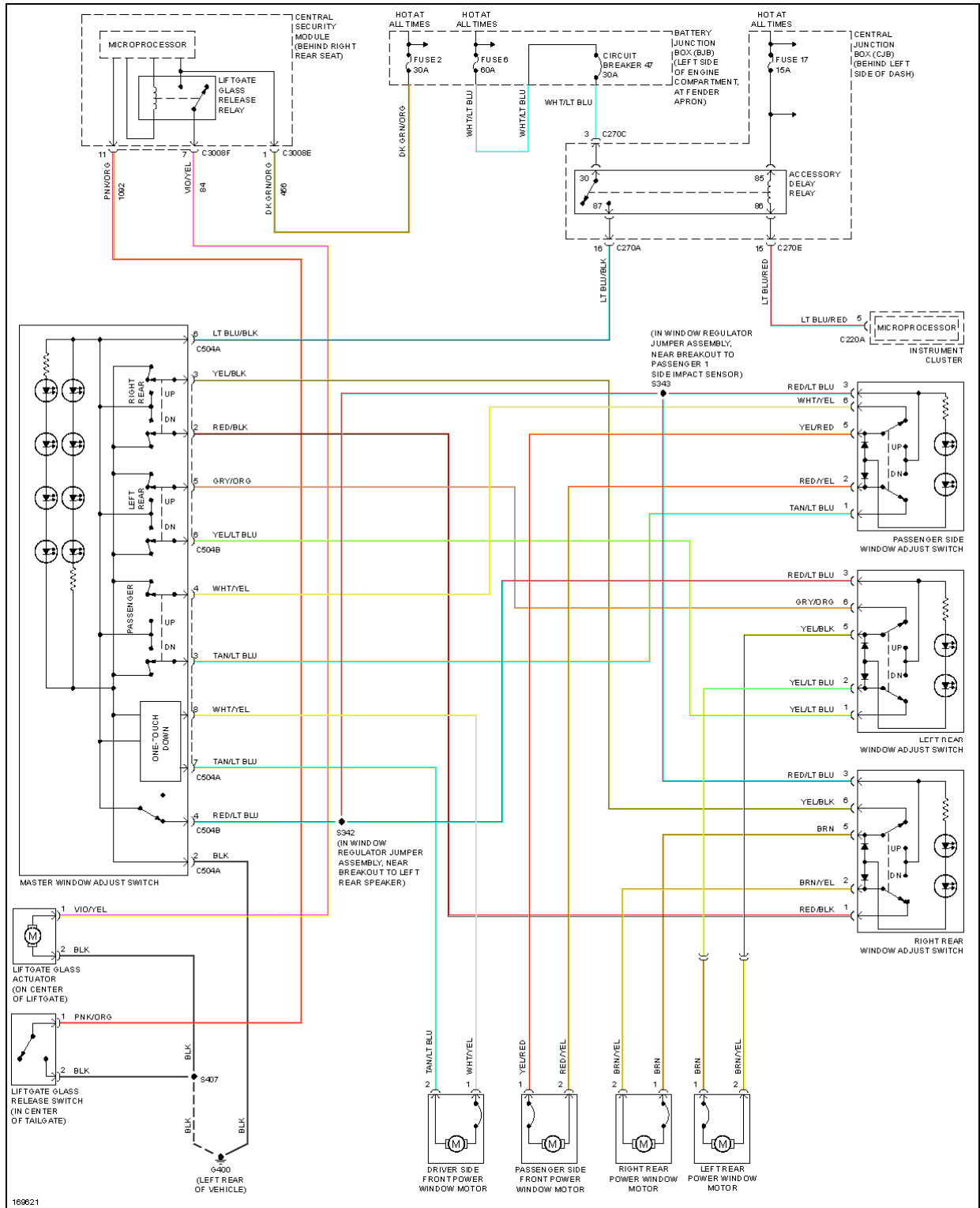
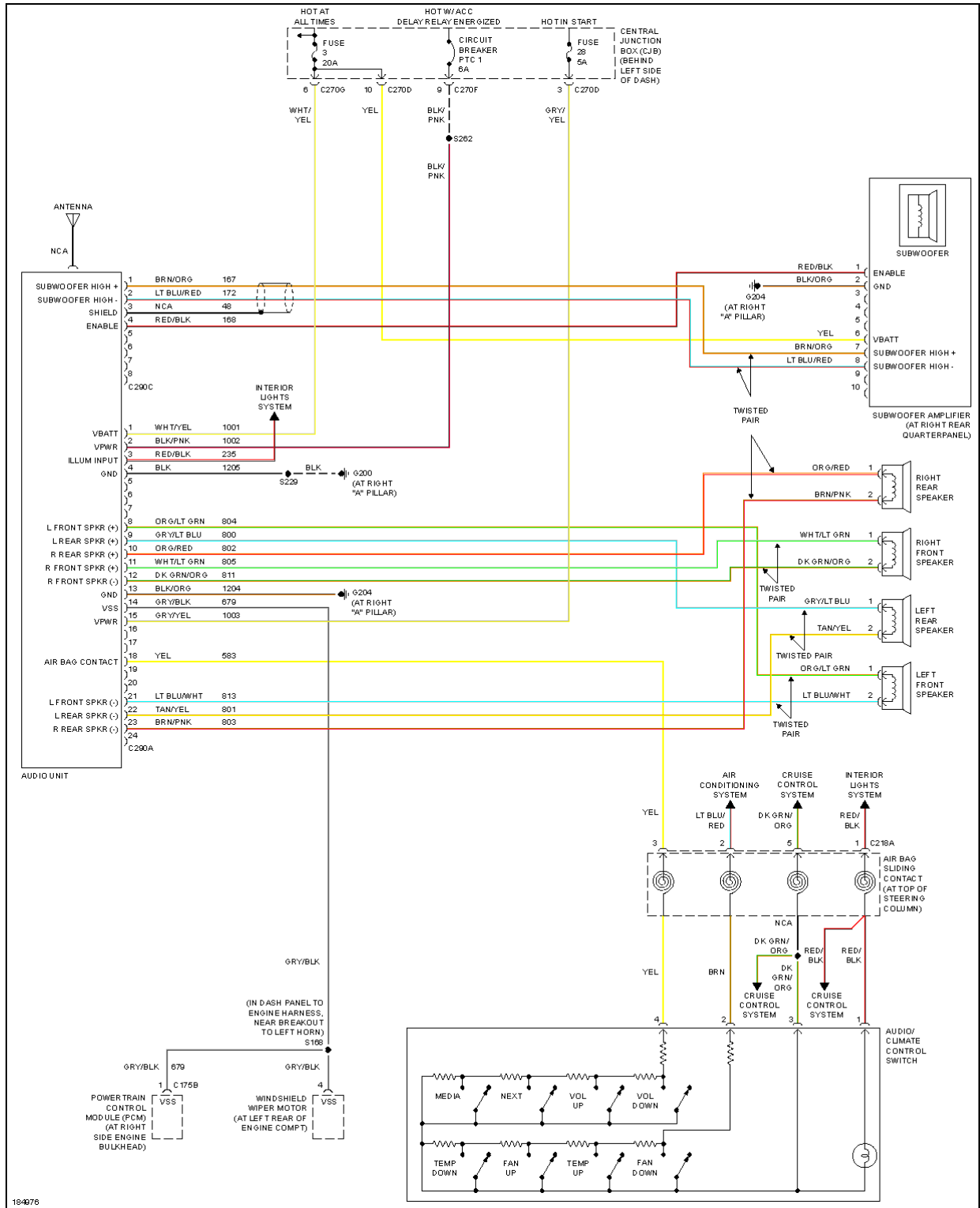


Fig. 54: Power Windows Circuit

RADIO

# 2004 Ford Explorer

## SYSTEM WIRING DIAGRAMS Ford - Explorer

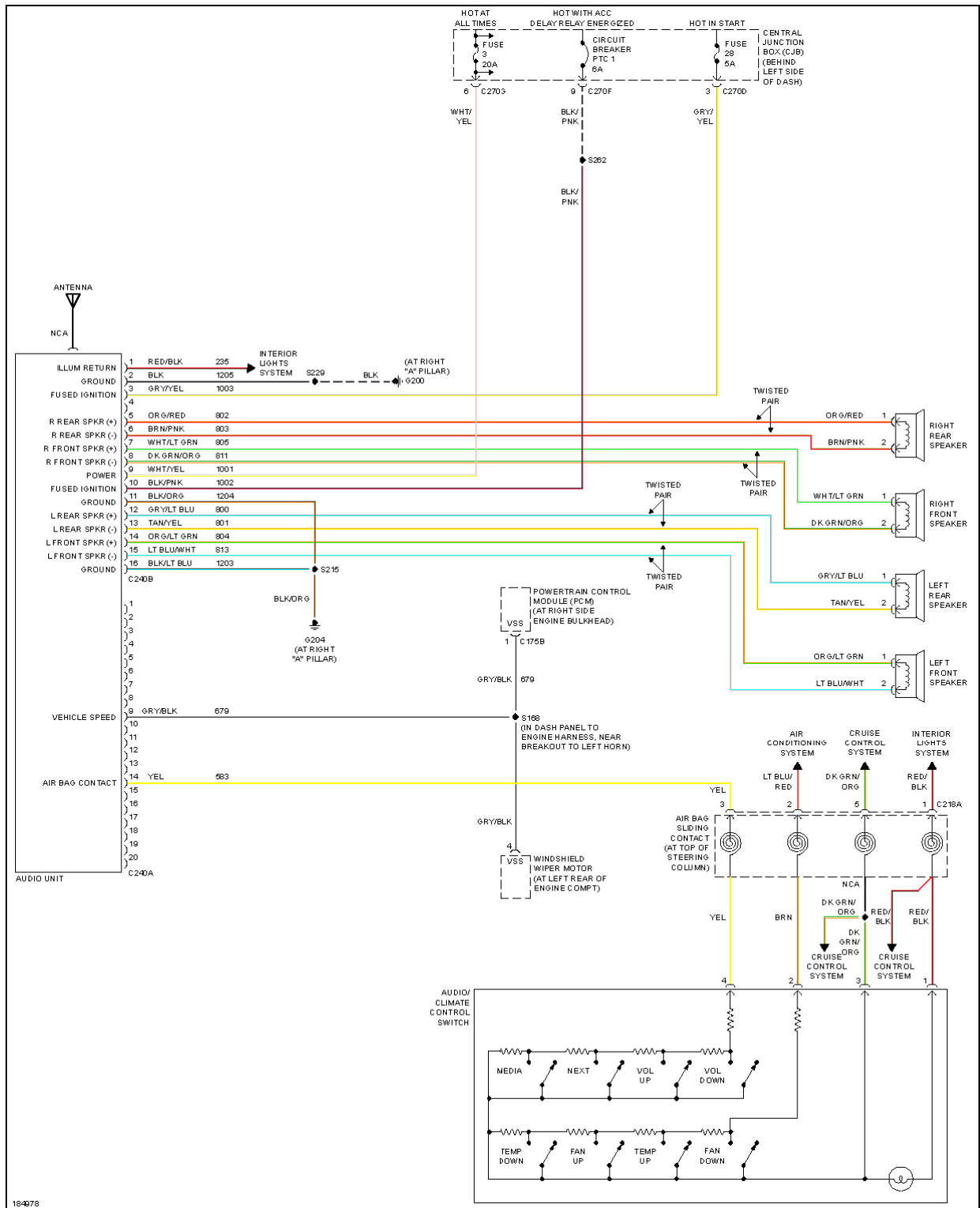


**Fig. 55: Radio Circuit, W/ Audiophile System**



# 2004 Ford Explorer

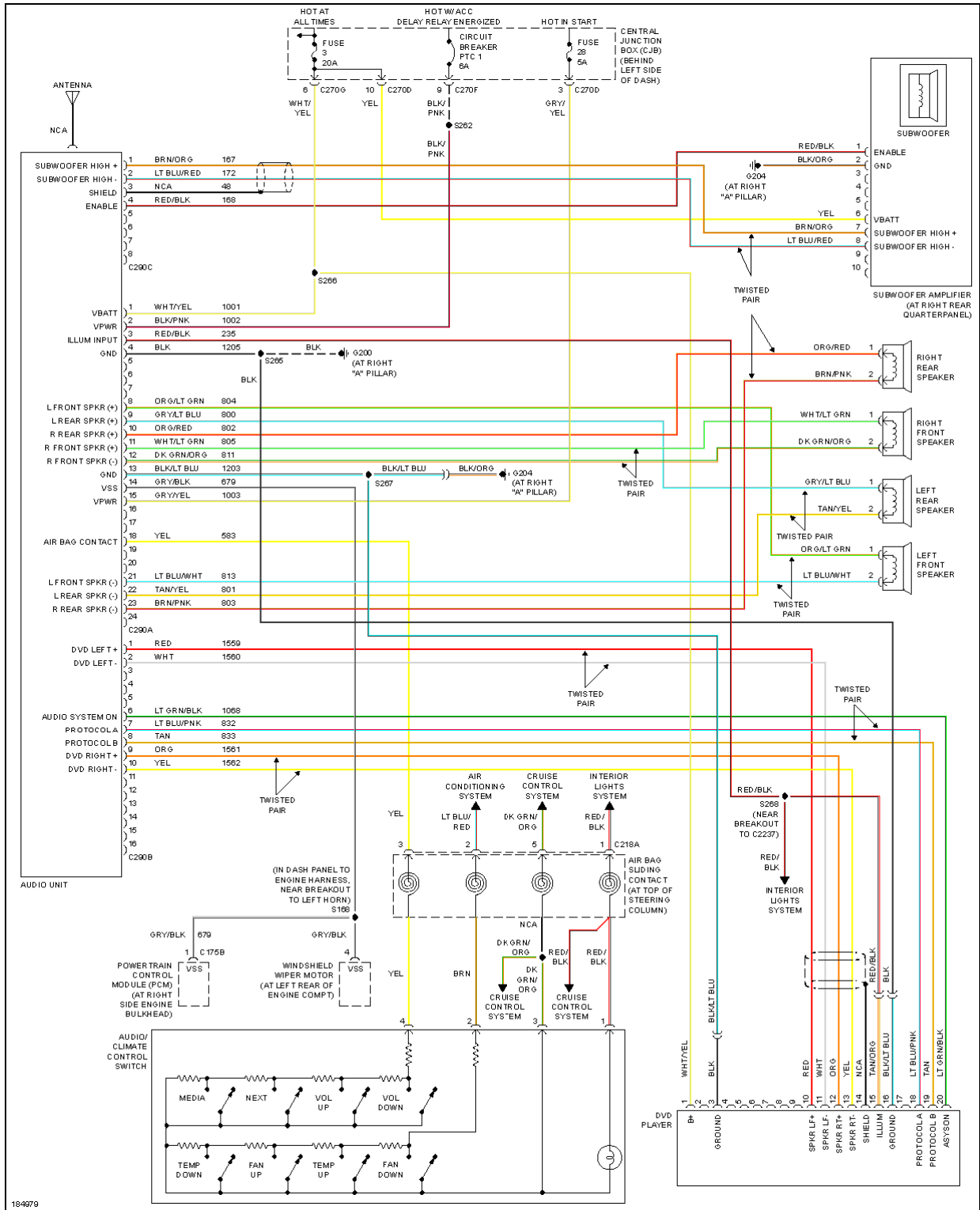
## SYSTEM WIRING DIAGRAMS Ford - Explorer



**Fig. 56: Radio Circuit, W/O Audiophile System**

# 2004 Ford Explorer

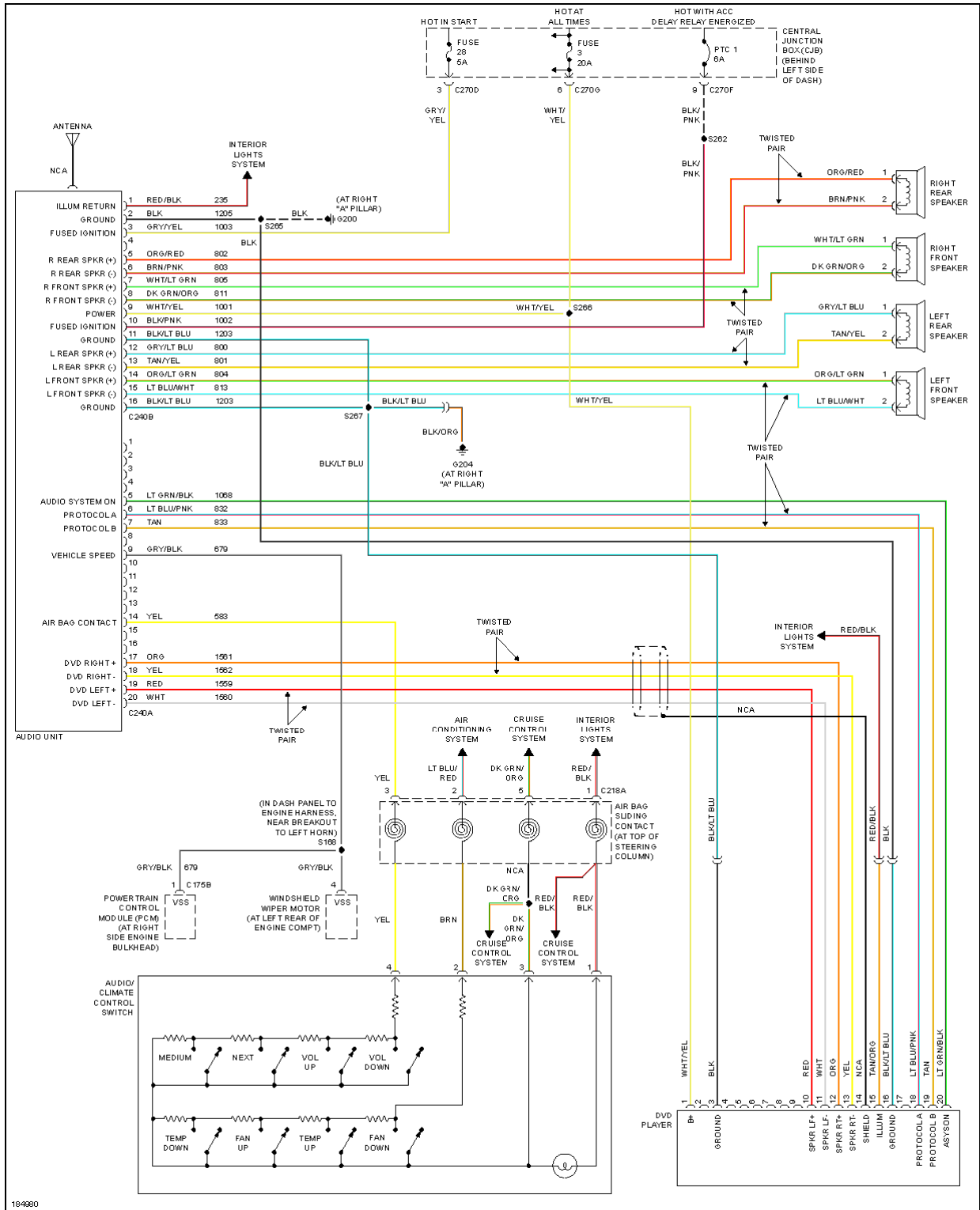
## SYSTEM WIRING DIAGRAMS Ford - Explorer



**Fig. 57: Rear Seat Entertainment Circuit, W/ Audiophile System**

# 2004 Ford Explorer

## SYSTEM WIRING DIAGRAMS Ford - Explorer

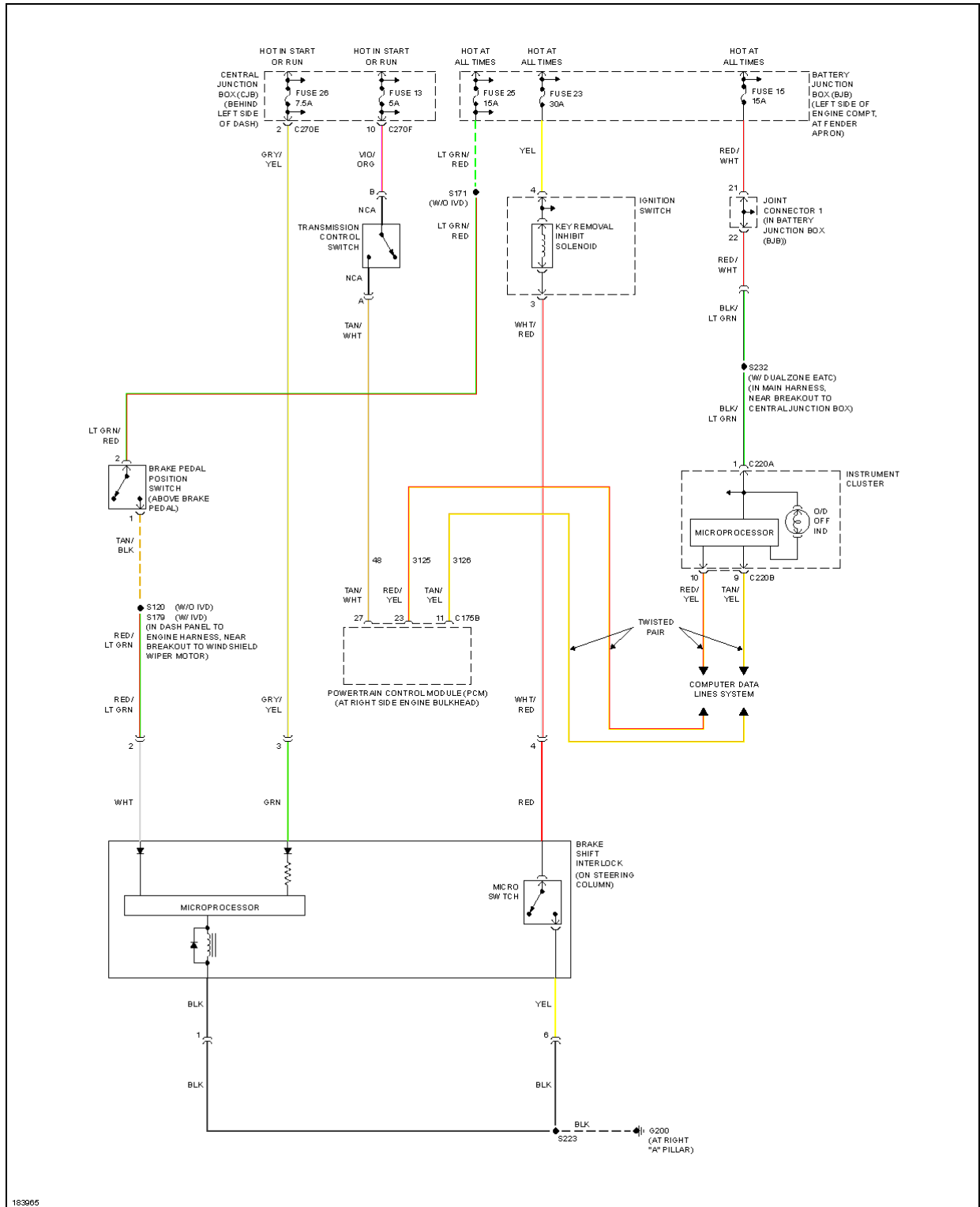


**Fig. 58: Rear Seat Entertainment Circuit, W/O Audiophile System**

## SHIFT INTERLOCK

# 2004 Ford Explorer

## SYSTEM WIRING DIAGRAMS Ford - Explorer

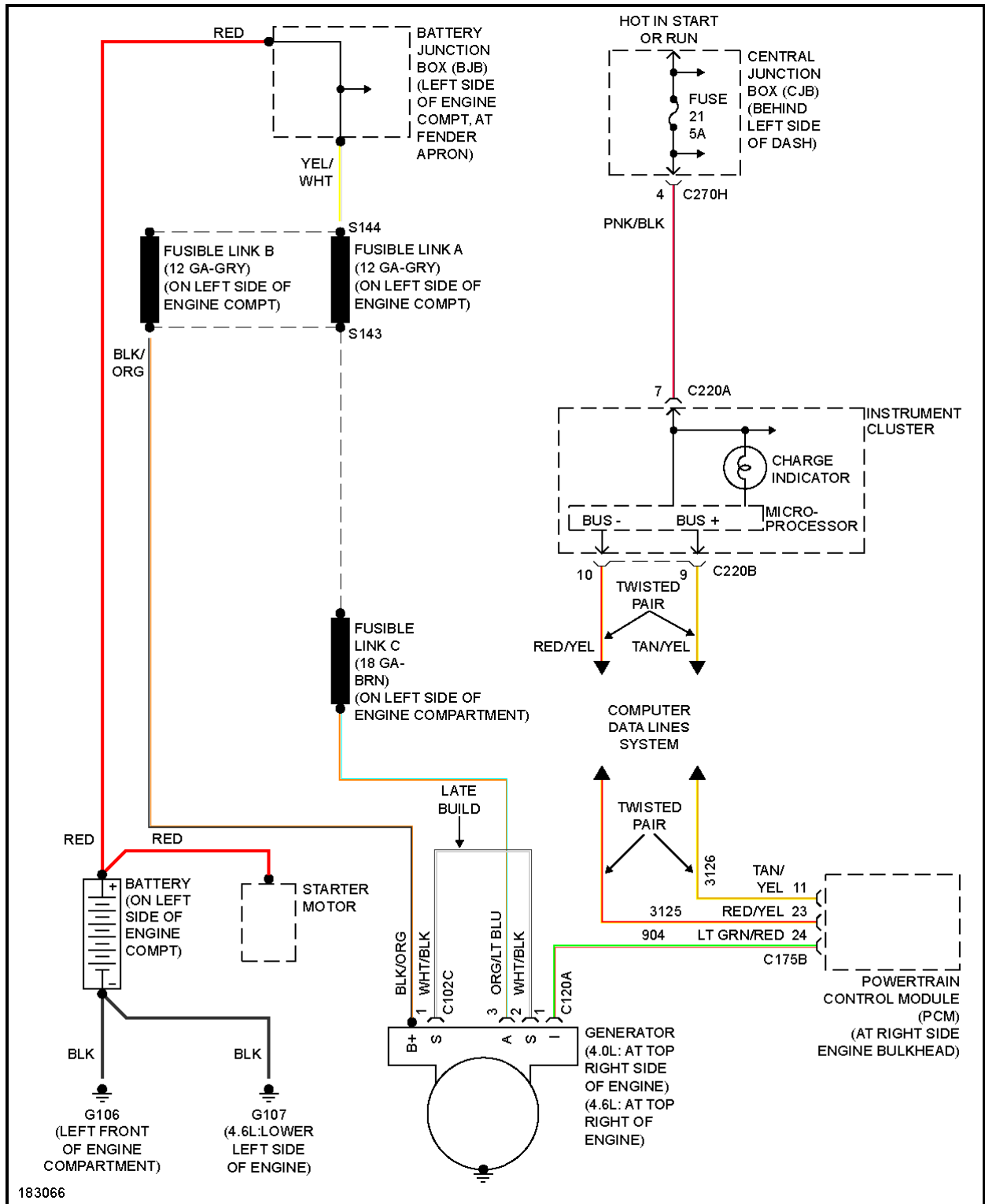


**Fig. 59: Shift Interlock Circuit**

## STARTING/CHARGING

# 2004 Ford Explorer

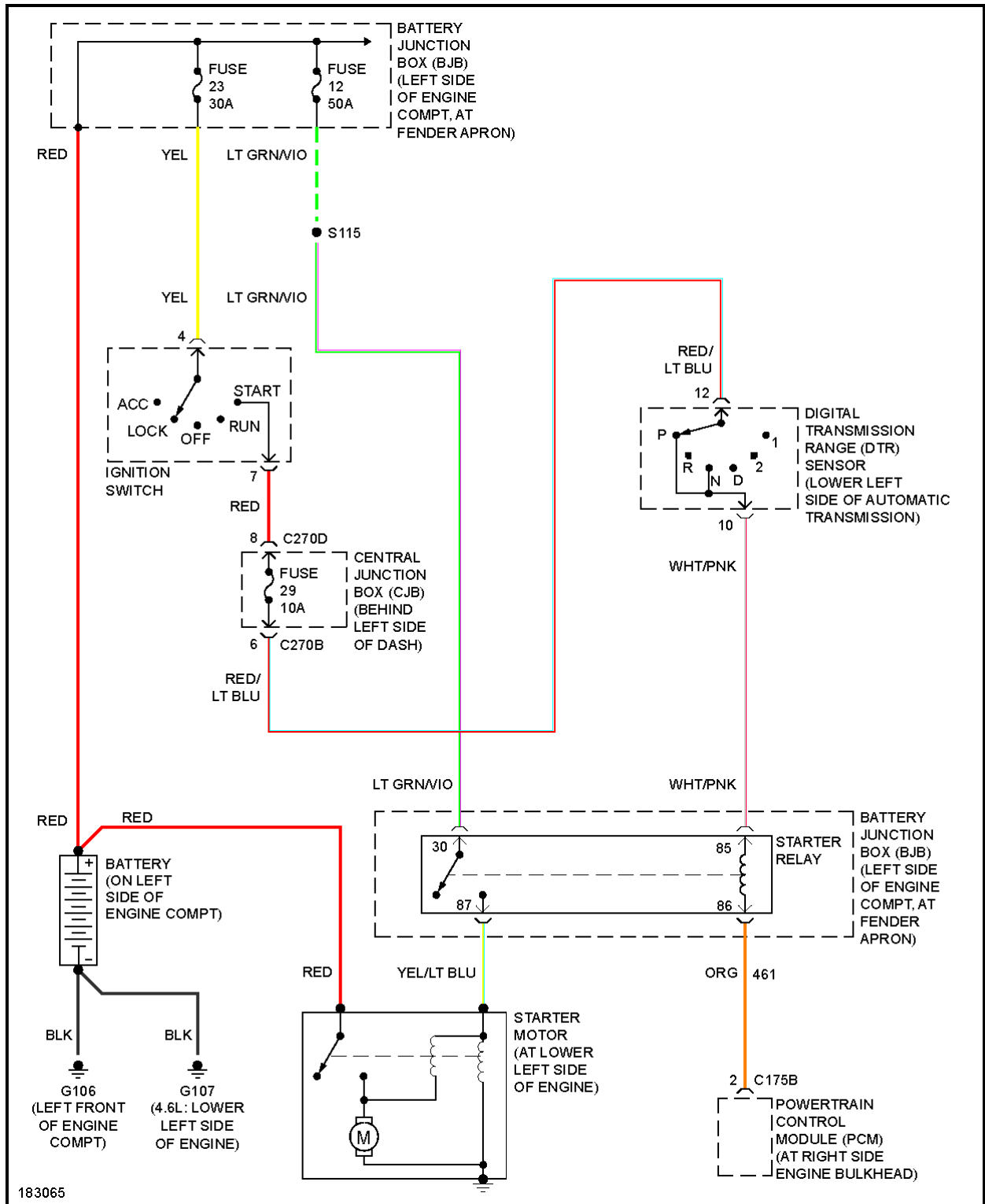
## SYSTEM WIRING DIAGRAMS Ford - Explorer



**Fig. 60: Charging Circuit**

# 2004 Ford Explorer

## SYSTEM WIRING DIAGRAMS Ford - Explorer

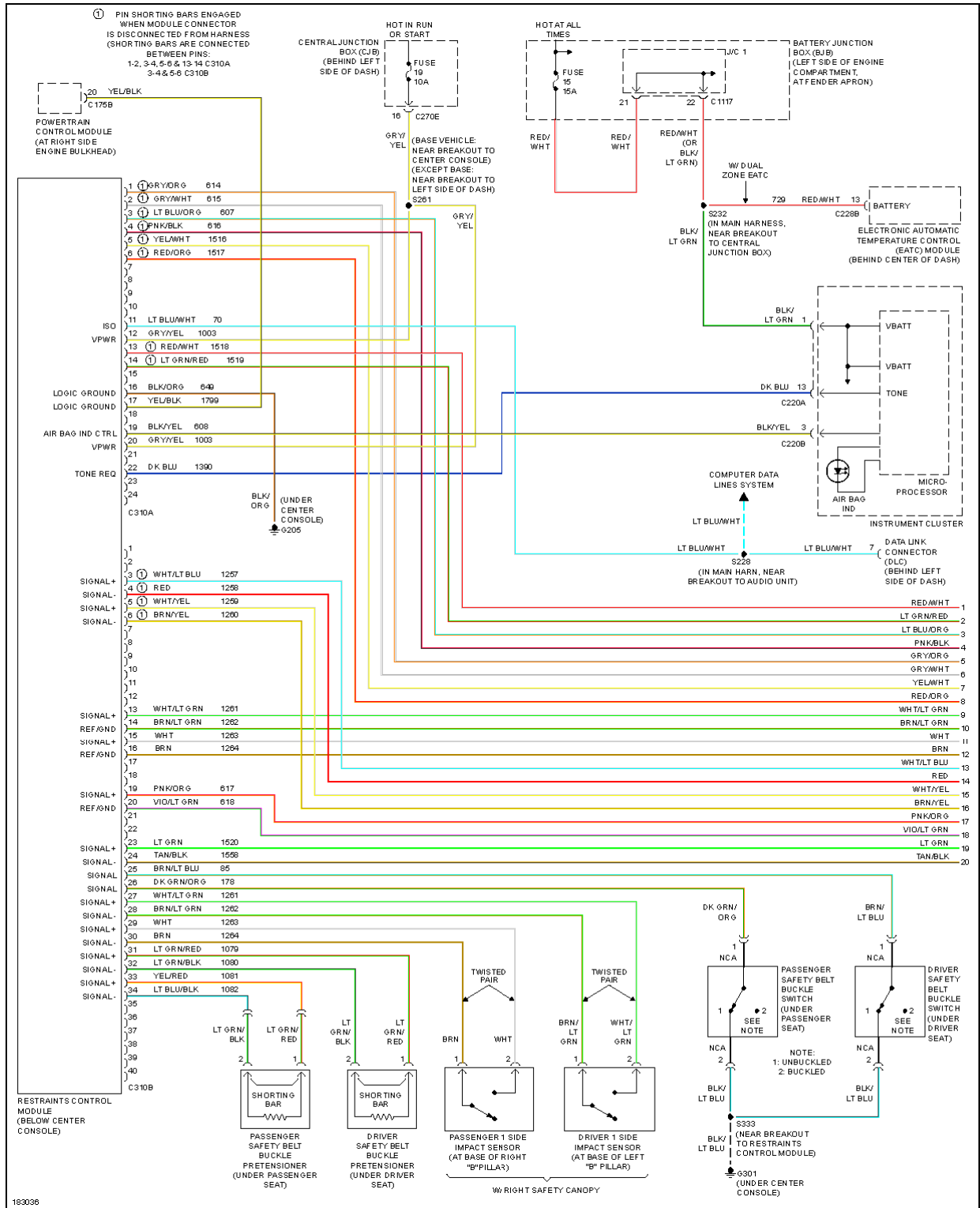


**Fig. 61: Starting Circuit**

### SUPPLEMENTAL RESTRAINTS

# 2004 Ford Explorer

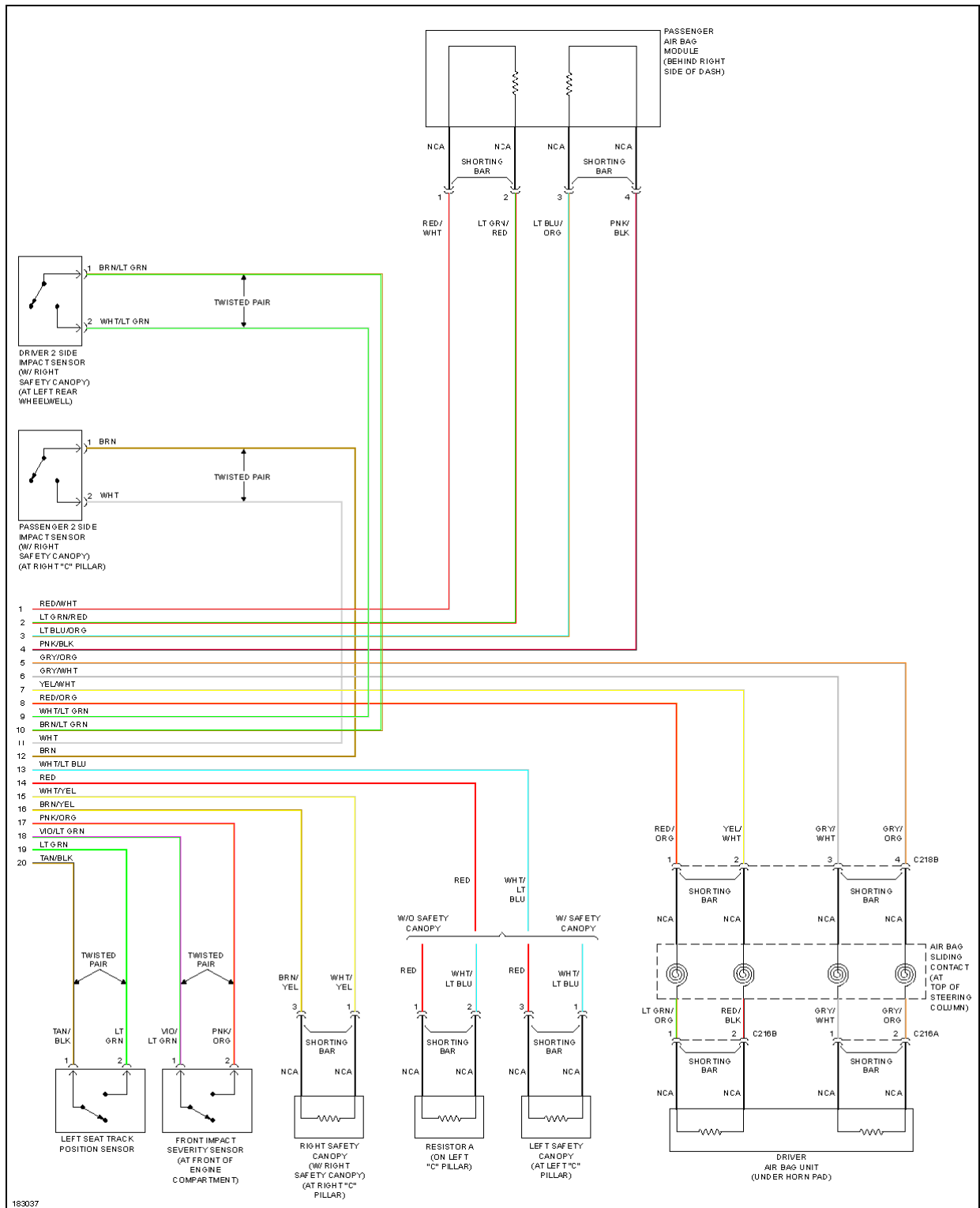
## SYSTEM WIRING DIAGRAMS Ford - Explorer



**Fig. 62: Supplemental Restraints Circuit (1 of 2)**

# 2004 Ford Explorer

## SYSTEM WIRING DIAGRAMS Ford - Explorer



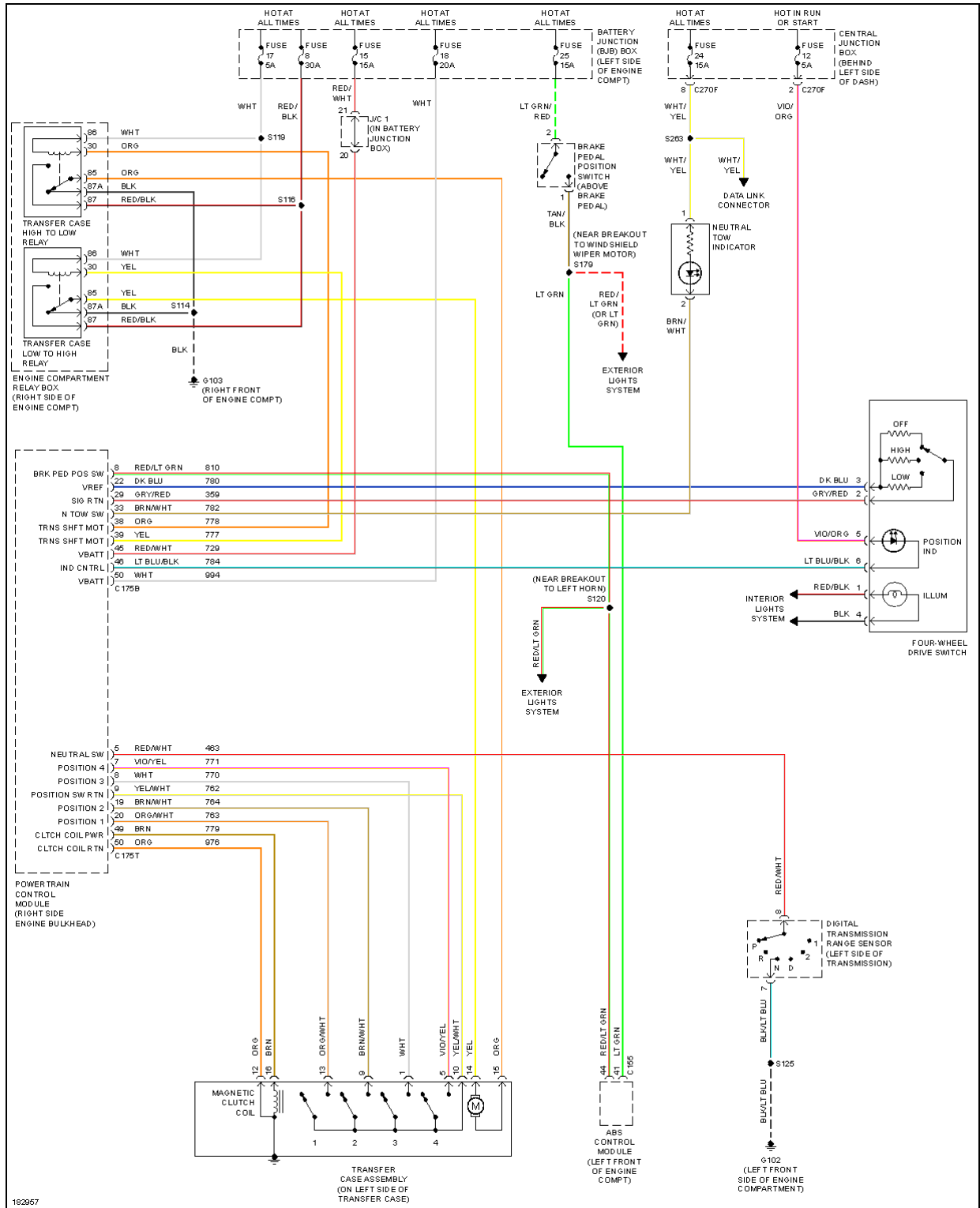
**Fig. 63: Supplemental Restraints Circuit (2 of 2)**

## TRANSMISSION



# 2004 Ford Explorer

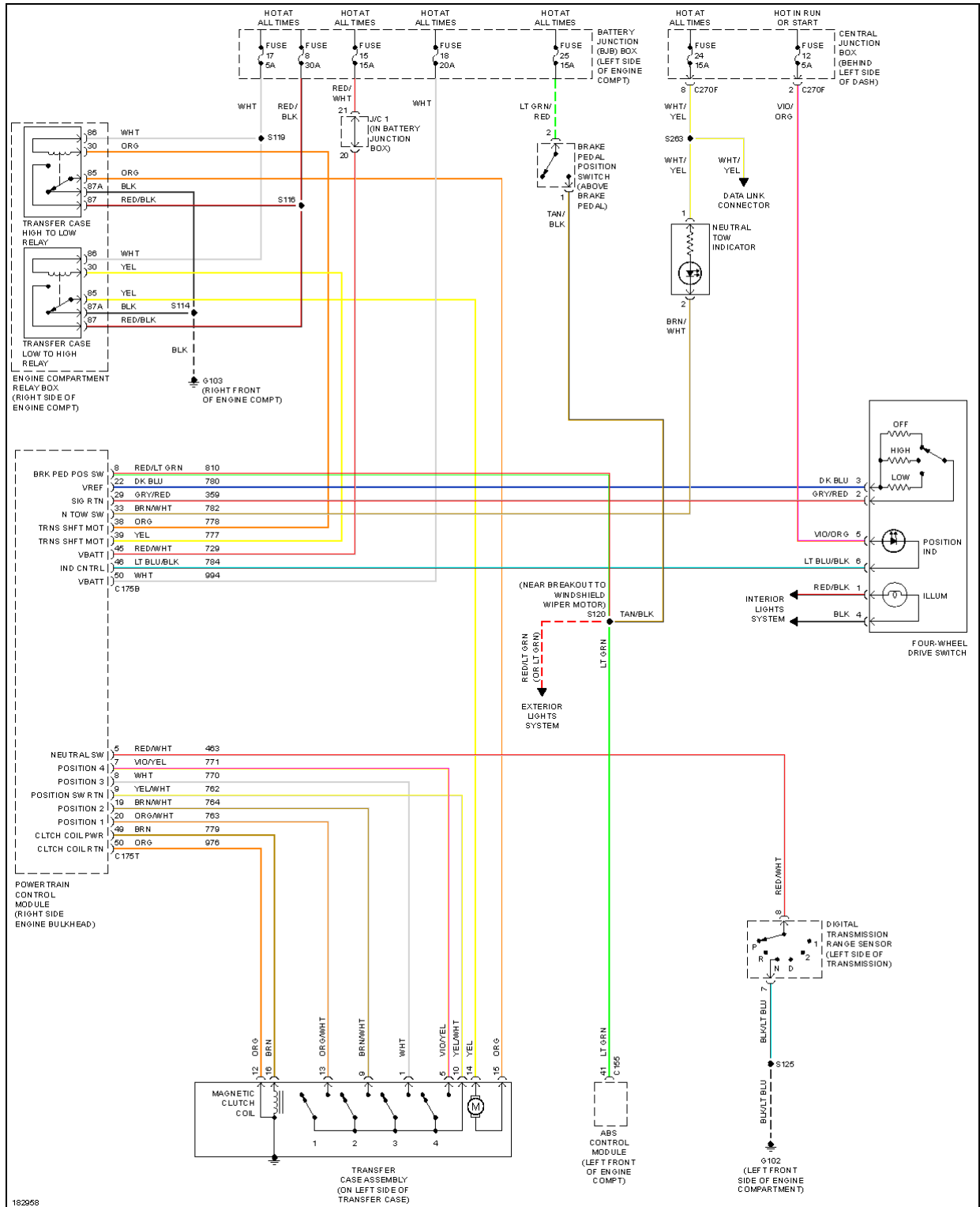
## SYSTEM WIRING DIAGRAMS Ford - Explorer



**Fig. 64: 4WD Circuit, W/ IVD**

# 2004 Ford Explorer

## SYSTEM WIRING DIAGRAMS Ford - Explorer



**Fig. 65: 4WD Circuit, W/O IVD**

# 2004 Ford Explorer

## SYSTEM WIRING DIAGRAMS Ford - Explorer

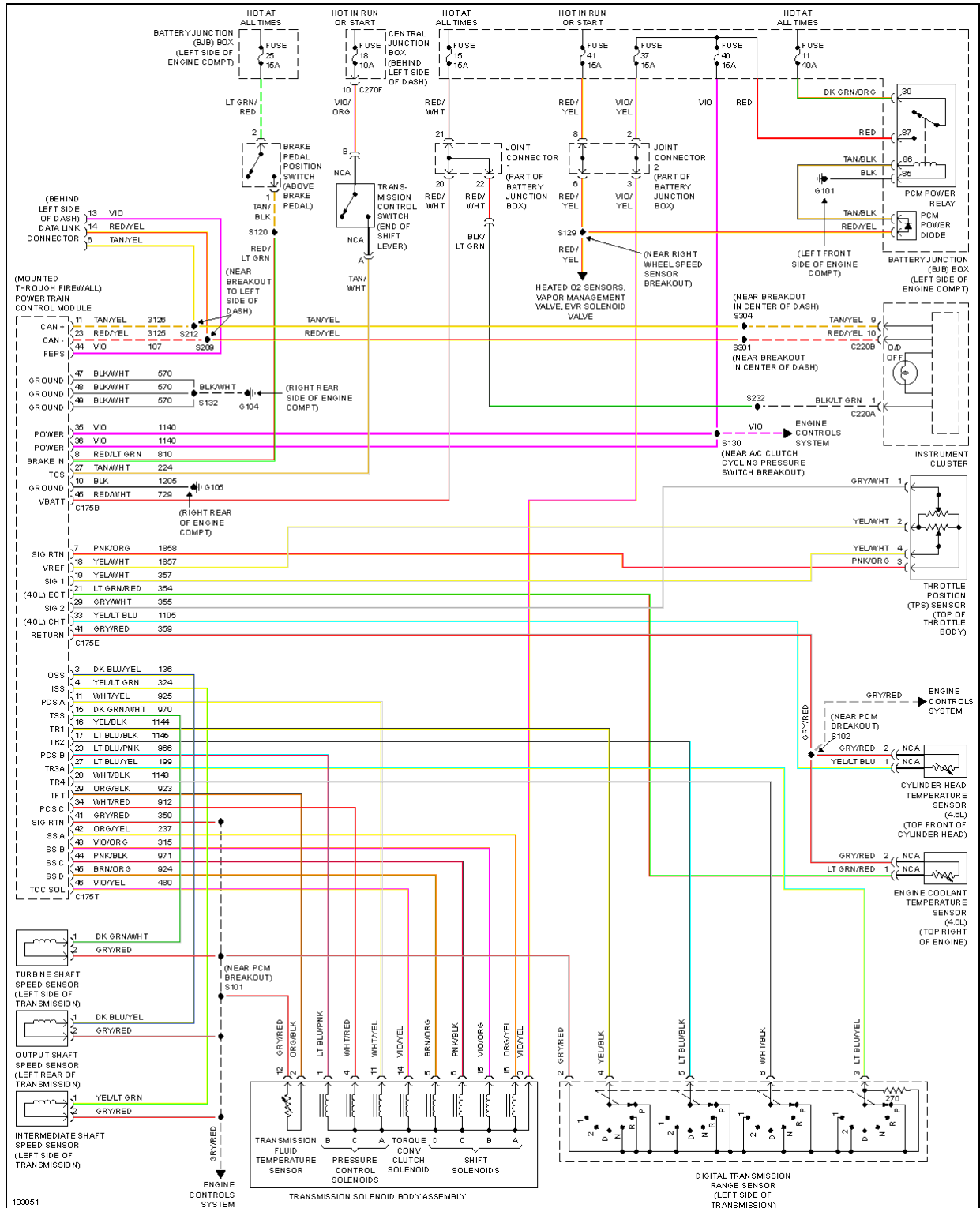
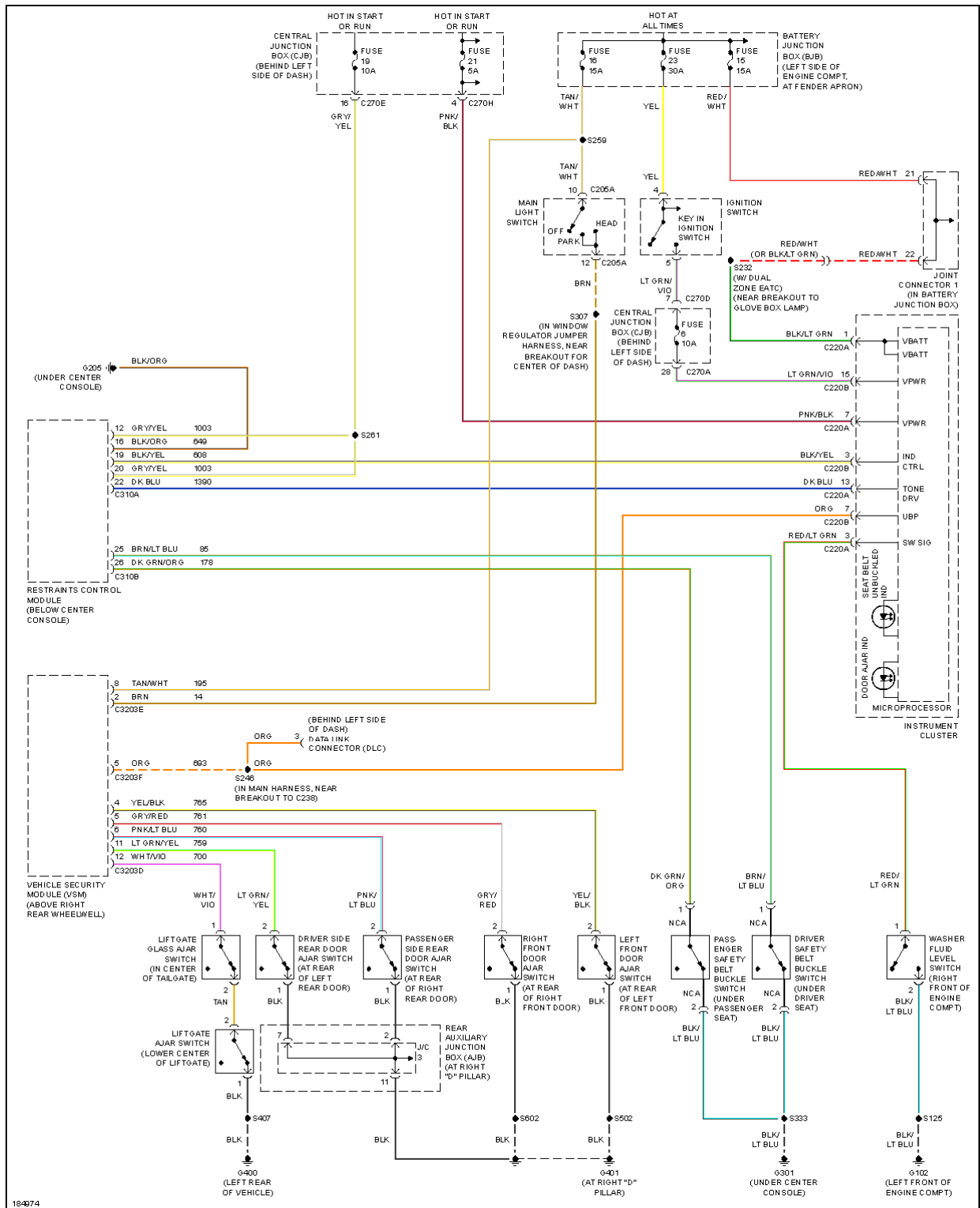


Fig. 66: A/T Circuit

## WARNING SYSTEMS

# 2004 Ford Explorer

## SYSTEM WIRING DIAGRAMS Ford - Explorer



**Fig. 67: Key Reminder & Seat Belt Warning Circuit**

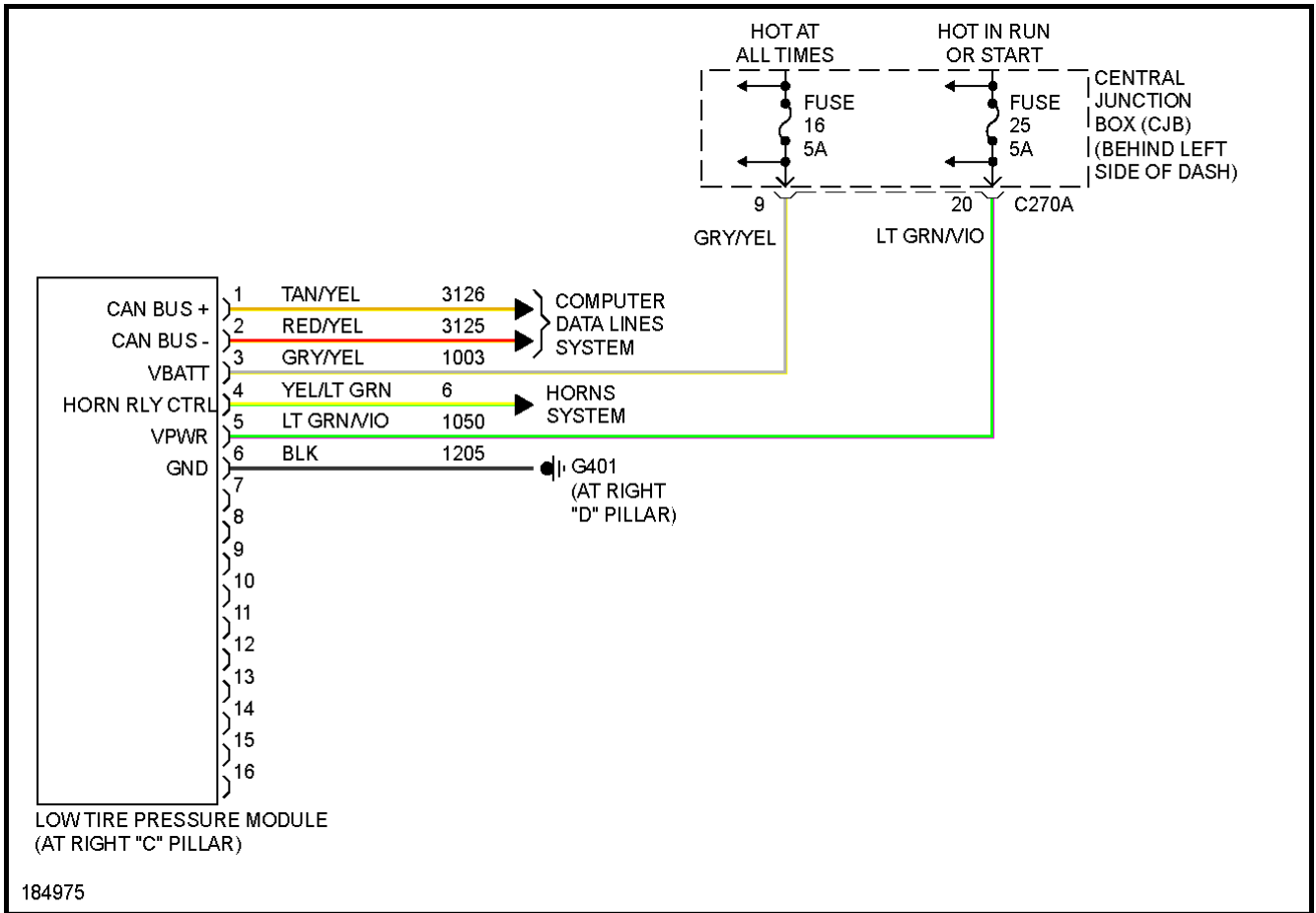
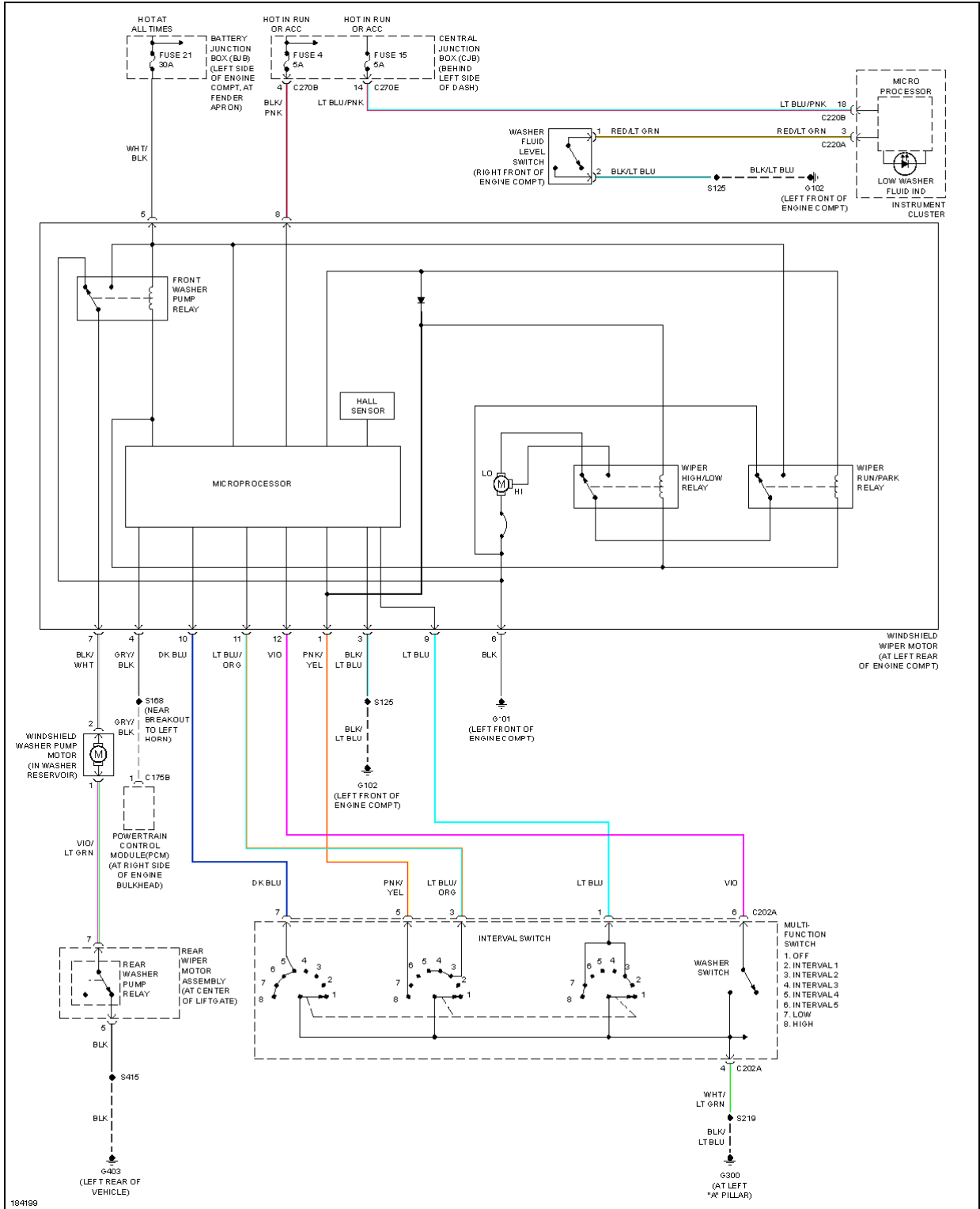


Fig. 68: Tire Pressure Monitoring Circuit

WIPER/WASHER

# 2004 Ford Explorer

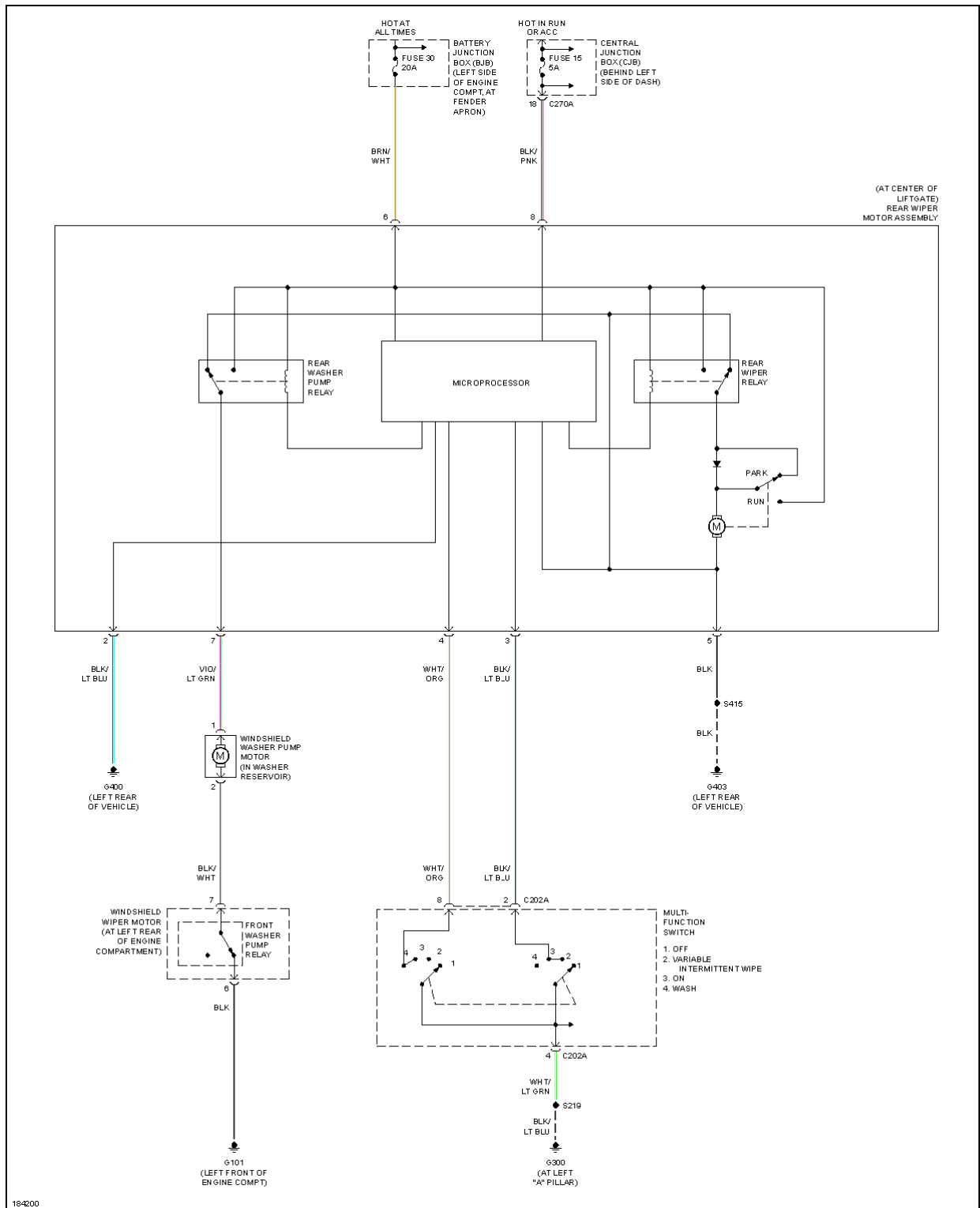
## SYSTEM WIRING DIAGRAMS Ford - Explorer



**Fig. 69: Front Wiper/Washer Circuit**

# 2004 Ford Explorer

## SYSTEM WIRING DIAGRAMS Ford - Explorer



**Fig. 70: Rear Washer/Wiper Circuit**